

Single zone inverter mini split

MODEL: OCD30KCH18S



Job Name: _____

Location: _____

Engineer Name: _____

File Resubmit

Contractor: _____

System No: _____

Approval Other

Date: _____

General Features

- Smart 1 Hertz Inverter Technology
- Low Ambient Cooling to 5 °F
- Multiple Fan Speeds
- Memory Function
- Fan Delay Function
- Intelligent Pre-heating / Defrost
- LED display
- Control lock
- Wi-Fi (Optional)
- Auto Clean
- Gold Fin Condenser
- Low Voltage Start-up
- High And Low Pressure Protection Features
- Load Protection Features
- Over-Current Protection
- Anti Freeze Protection



Unit Performance:

<i>Cooling:</i>	
Capacity (Min-Rated-Max, Btu/h)	9,490-28,000-30,030
SEER	18
EER	10,4
<i>Heating:</i>	
Capacity (Min-Rated-Max, Btu/h)	10,000 -28,400- 32,990
HSPF	9
COP (W/W)	2,97

Unit Specification

Refrigerant Type	R410A
Refrigerant Charge (oz)	84,66
ODU Sound Pressure (dB(A))	62
IDU Sound Pressure (dB(A))	37 / 51
ODU Net Weight (lbs)	154
IDU Net Weight (lbs)	41,9
Dehumidifying (Pint/h)	6,34

Fan

ODU / IDU Type	Axial-flow/Cross-flow
Quantity (ODU + IDU)	1+1
Motor/Drive	Direct Drive
ODU Max Air Flow Rate (CFM)	4000
IDU Air Flow Rate (CFM)	412 / 706

Compressor

Cooling Operation Ambient temp. Range	0~115 °F
Heating Operation Ambient temp. Range	-5~75 °F
Compressor Type	Rotary
Fan Motor Output (W)	120
Crankcase Heater	Yes

Electrical Specification

Power Supply	208-230V / 60Hz
Communications Wire Size	AWG 12
MOP (A)	30
MCA (A)	20
Cooling Rated Amps (A)	17
Heating Rated Amps (A)	17,5
Compressor RLA (A)	13,45
Indoor Fan Motor RLA (A)	0,4
Outdoor Fan Motor RLA (A)	0,45
Nominal Cooling Power Input (kW)	2,7
Nominal Heating Power Input (kW)	2,8

Piping

Liquid Line (in, OD)	1/4
Gas Line (in, OD)	5/8
Additional Refrigerant (oz./ft.)	0.538
Max Pipe Length (ft.)	98.4
Piping Length (no add'l refrigerant, ft.)	24,6
Max Elevation (ft.)	32.8

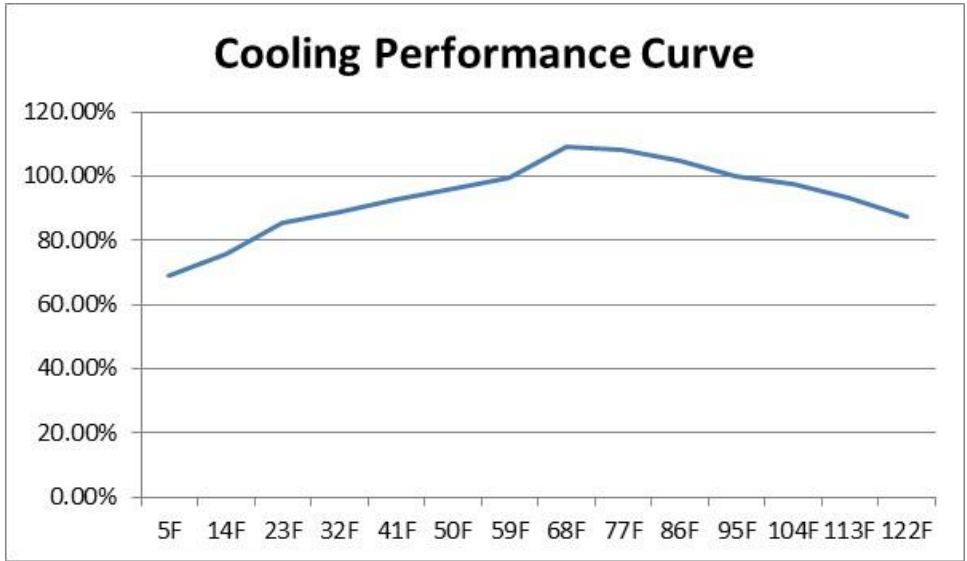


Single zone inverter mini split

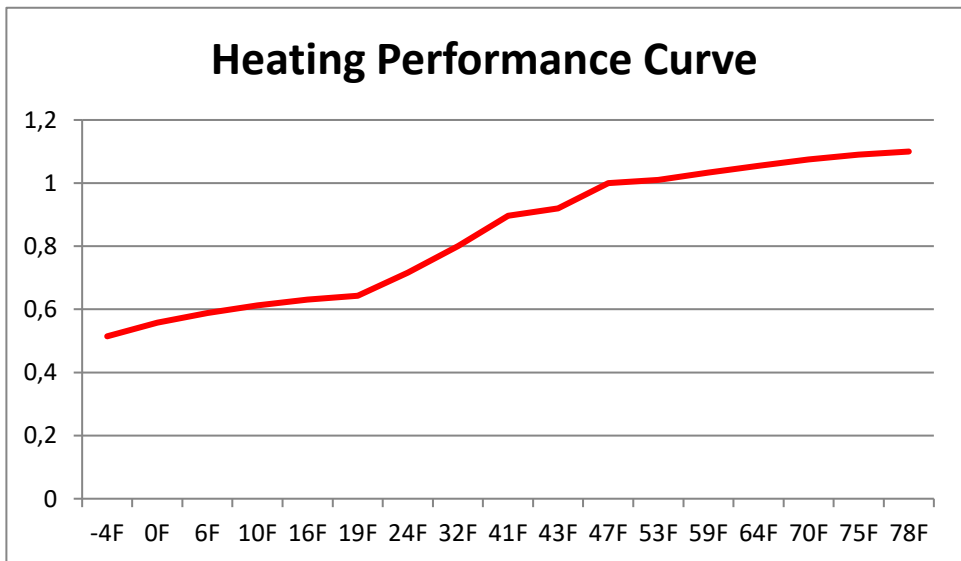
MODEL: OCD30KCH18S



Cooling Performance Curve



Heating Performance Curve

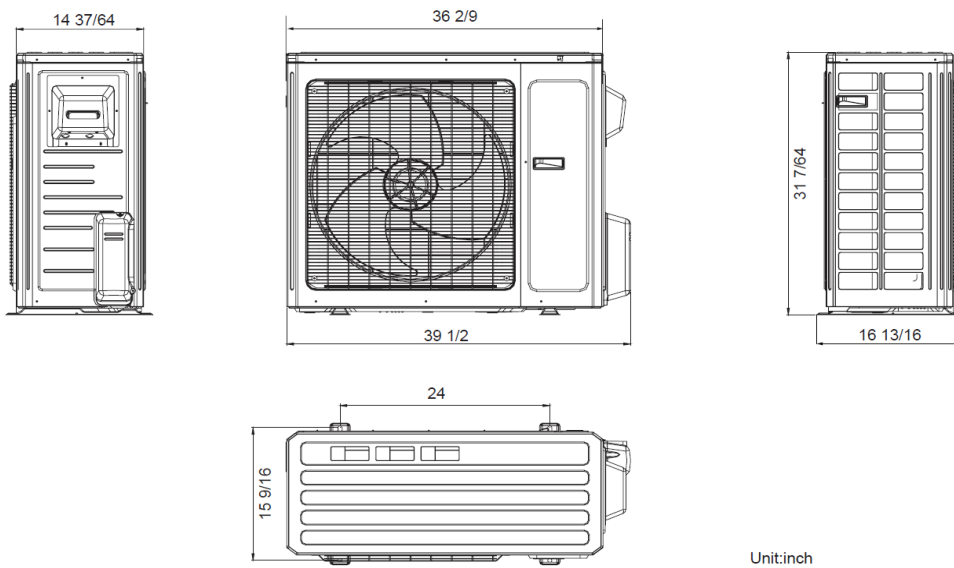
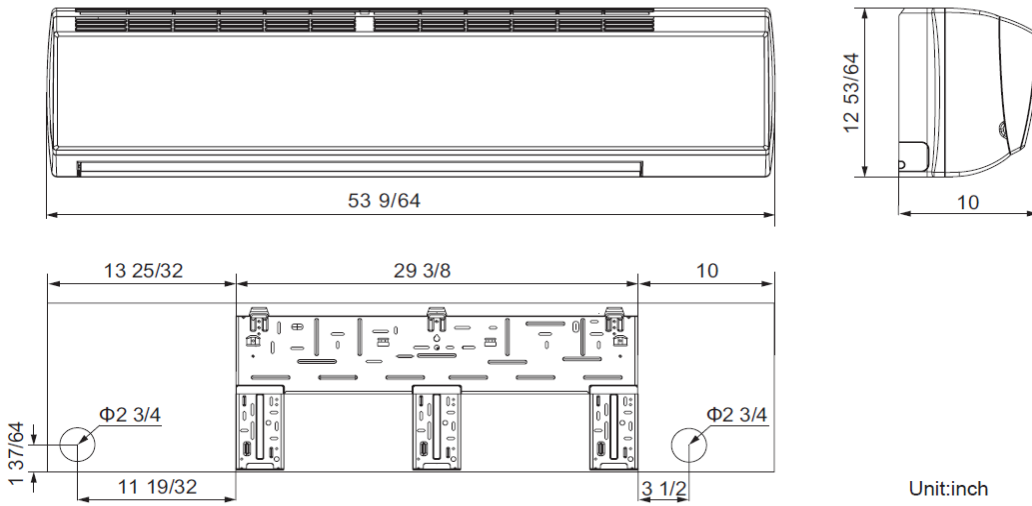


Single zone inverter mini split

MODEL: OCD30KCH18S



Outline Dimension Diagram



GLOSSARY

SEER - Seasonal Energy Efficiency Ratio

EER - Energy Efficiency Ratio

HSPF - Heating Seasonal Performance Factor

MOP - Maximum Overcurrent Protection

MCA - Minimum Circuit Ampacity



5965 Chemin de la Côte de Liesse
Saint laurent, QC, Canada, H4T 1C3

Contact: +1 438 792 1956

info@willisac.com

www.willishvac.com