

Single zone inverter mini split

MODEL: OCD24KCH20S-I



Job Name: _____

Location: _____

Engineer Name: _____

File Resubmit

Contractor: _____

System No: _____

Approval Other

Date: _____

General Features

- Auto Clean
- Multiple Fan Speeds
- Memory Function
- Fan Delay Function
- Intelligent Pre-heating / Defrost
- LED display
- Control lock
- Wi-Fi (Optional)



Unit Performance:

<i>Cooling:</i>	
Capacity (Min-Rated-Max, Btu/h)	6,820-22,000-27,000
<i>Heating:</i>	
Capacity (Min-Rated-Max, Btu/h)	6,820 -23,000- 30,710

Electrical Specification

Power Supply	208-230V / 60Hz
Communications Wire Size	AWG 12
Cooling Rated Amps (A)	14,49
Heating Rated Amps (A)	14,49
Indoor Fan Motor RLA (A)	0,38

Unit Specification

Refrigerant Type	R410A
IDU Sound Pressure (dB(A))	36 / 48
IDU Net Weight (lbs)	34,2
Dehumidifying (Pint/h)	4,23

Piping

Liquid Line (in, OD)	1/4
Gas Line (in, OD)	5/8

Fan

ODU / IDU Type	Axial-flow/Cross-flow
Quantity (ODU + IDU)	1+1
Motor/Drive	Direct Drive
IDU Air Flow Rate (CFM)	530 / 706

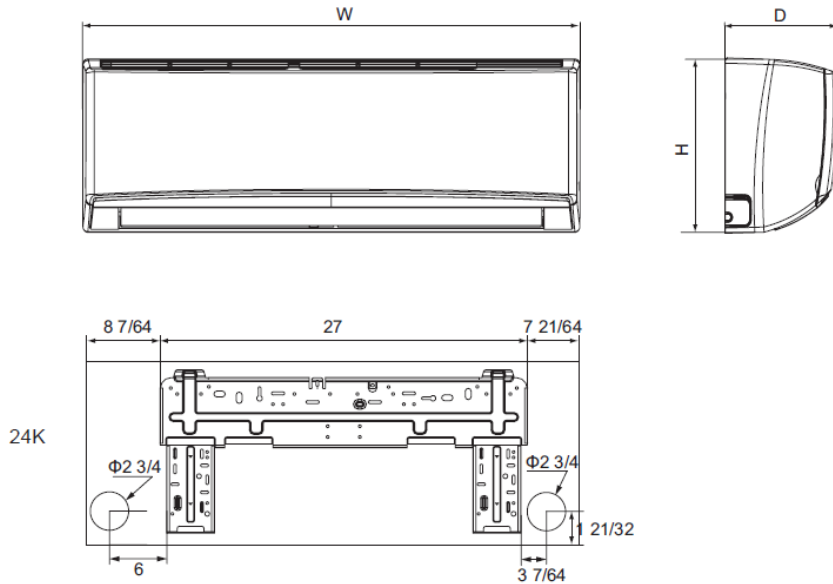


Single zone inverter mini split

MODEL: OCD24KCH20S-I



Outline Dimension Diagram



GLOSSARY

SEER - Seasonal Energy Efficiency Ratio

EER - Energy Efficiency Ratio

HSPF - Heating Seasonal Performance Factor

MOP - Maximum Overcurrent Protection

MCA - Minimum Circuit Ampacity



5965 Chemin de la Côte de Liesse
Saint laurent, QC, Canada, H4T 1C3

Contact: +1 438 792 1956

info@willishvac.com

www.willishvac.com