

Single zone inverter mini split

MODEL: OCD12KCH22S-I



Job Name: _____

Location: _____

Engineer Name: _____

File Resubmit

Contractor: _____

System No: _____

Approval Other

Date: _____

General Features

- Auto Clean
- Multiple Fan Speeds
- Memory Function
- Fan Delay Function
- Intelligent Pre-heating / Defrost
- LED display
- Control lock
- Wi-Fi (Optional)



Unit Performance:

<i>Cooling:</i>	
Capacity (Min-Rated-Max, Btu/h)	3,100 -12,000-13,000
<i>Heating:</i>	
Capacity (Min-Rated-Max, Btu/h)	2,400 -13,000- 14,000

Electrical Specification

Power Supply	208-230V / 60Hz
Communications Wire Size	AWG 16
Cooling Rated Amps (A)	6
Heating Rated Amps (A)	6,3
Indoor Fan Motor RLA (A)	0,09

Unit Specification

Refrigerant Type	R410A
IDU Sound Pressure (dB(A))	29 / 45
IDU Net Weight (lbs)	22
Dehumidifying (Pint/h)	2,96

Piping

Liquid Line (in, OD)	1/4
Gas Line (in, OD)	1/2

Fan

ODU / IDU Type	Axial-flow/Cross-flow
Quantity (ODU + IDU)	1+1
Motor/Drive	Direct Drive
IDU Air Flow Rate (CFM)	171 / 400

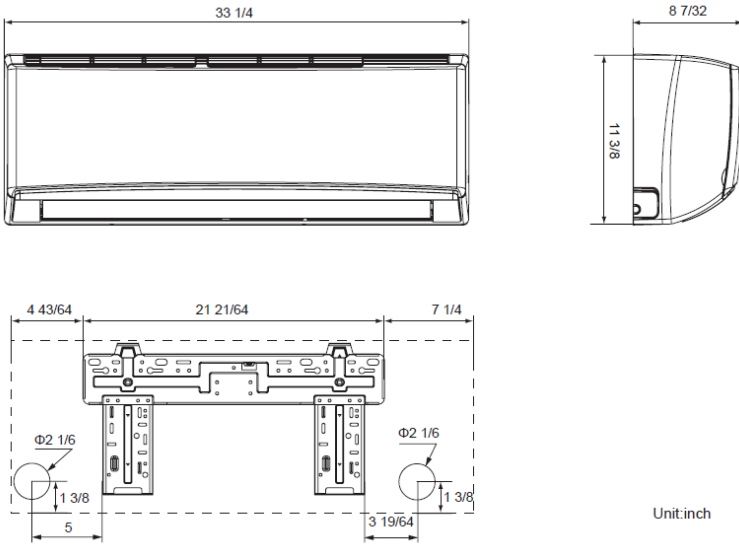


Single zone inverter mini split

MODEL: OCD12KCH22S-I



Outline Dimension Diagram



GLOSSARY

SEER - Seasonal Energy Efficiency Ratio

EER - Energy Efficiency Ratio

HSPF - Heating Seasonal Performance Factor

MOP - Maximum Overcurrent Protection

MCA - Minimum Circuit Ampacity



5965 Chemin de la Côte de Liesse
Saint laurent, QC, Canada, H4T 1C3

Contact: +1 438 792 1956

info@willisac.com

www.willishvac.com