

Multi zone inverter mini split

MODEL: MPD30KCH21S-O



Job Name: \_\_\_\_\_

Location: \_\_\_\_\_

Engineer Name: \_\_\_\_\_

File  Resubmit

Contractor: \_\_\_\_\_

System No: \_\_\_\_\_

Approval  Other

Date: \_\_\_\_\_

**General Features**

- High And Low Pressure Protection Features
- Over Load Protection Features
- Over-Current Protection
- Anti Freeze Protection



**Unit Performance:**

<i>Cooling:</i>	
Capacity (Min-Rated-Max, Btu/h)	8,188-28,400,33,437
SEER	21
EER (Btu/h)/w	12,5
<i>Heating:</i>	
Capacity (Min-Rated-Max, Btu/h)	8,188-30,000-32,414
HSPF	10,5
COP (W/W)	3,74

\*\*\*\*

*Piping*

Refrigerant Charge (lbs)	6,2
Liquid Line (in)	1/4
Gas Line (in)	3/8
Max Total Piping (ft)	229,6
Max ODU to IDU Piping (ft)	82
Total Piping Length (no add'l refrigerant, ft)	131,2
Max Elevation between ODU and IDU (ft)	49,2
Max Elevation between IDU and IDU (ft)	24,6

**Operating Range:**

Cooling (°F WB)	0~118
Heating (°F DB)	-5~75

**Unit Specification**

Refrigerant Type	R410A
Refrigerant Control	EEV
Sound Pressure (dB(A))	59
Net Weight (lbs)	154
Min. Number IDU	N/A
Max. Number IDU	4
Dehumidification (Pint/h)	N/A
Heat Exchanger Coating	GoldFin™

**Electrical Specification**

Power Supply	208-230V / 60Hz
Communications Wire Size	AWG 14/4
MOP (A)	30
MCA (A)	30
Cooling Rated Amps (A)	9,87
Heating Rated Amps (A)	10,22
Compressor RLA (A)	13,9
Fan Motor RLA (A)	0,53
Nominal Cooling Power Input (kW)	2,27
Nominal Heating Power Input (kW)	2,35

**Compressor:**

Quantity	1
Type	Inverter Rotary
Oil/Type	RB68EP

**Fan**

Type	Axial-flow
Quantity	1
Motor/Drive	DC motor/Direct drive
Max Air Flow Rate (CFM)	2354

AHRI Certification Ref # \_\_\_\_\_

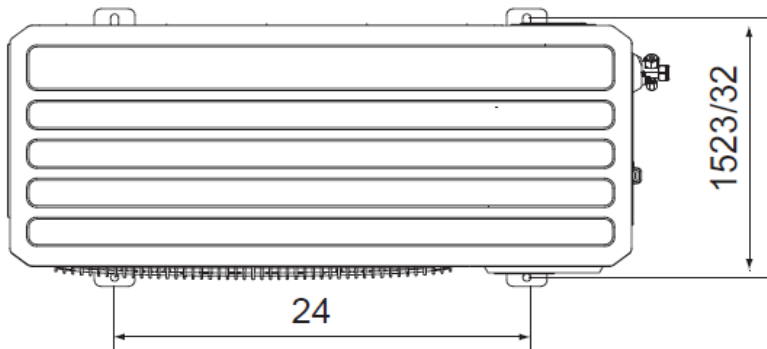
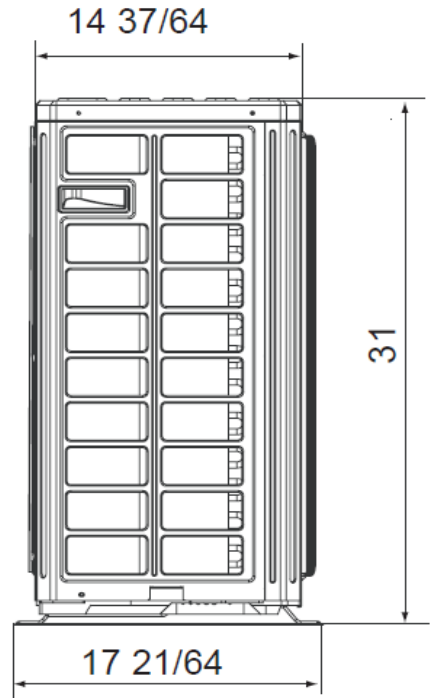
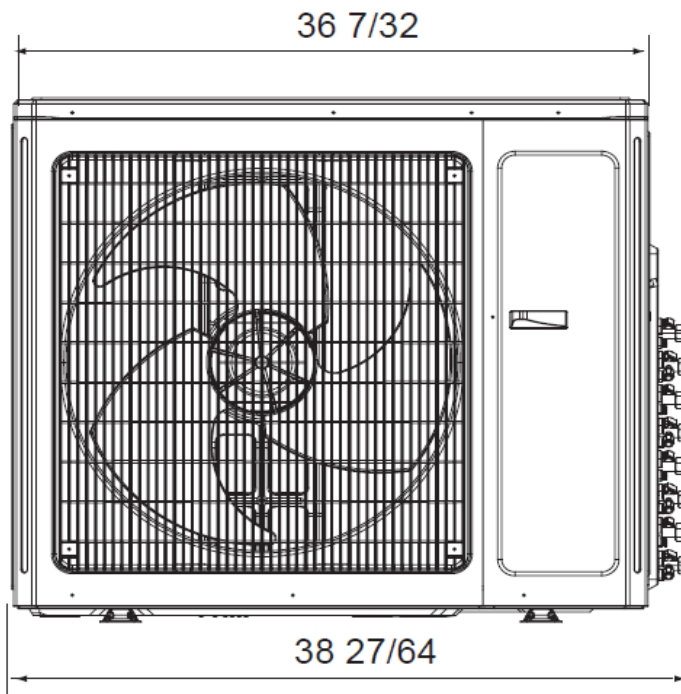


Multi zone inverter mini split

MODEL: MPD30KCH21S-O



Outline Dimension Diagram



Unit:inch

Multi zone inverter mini split

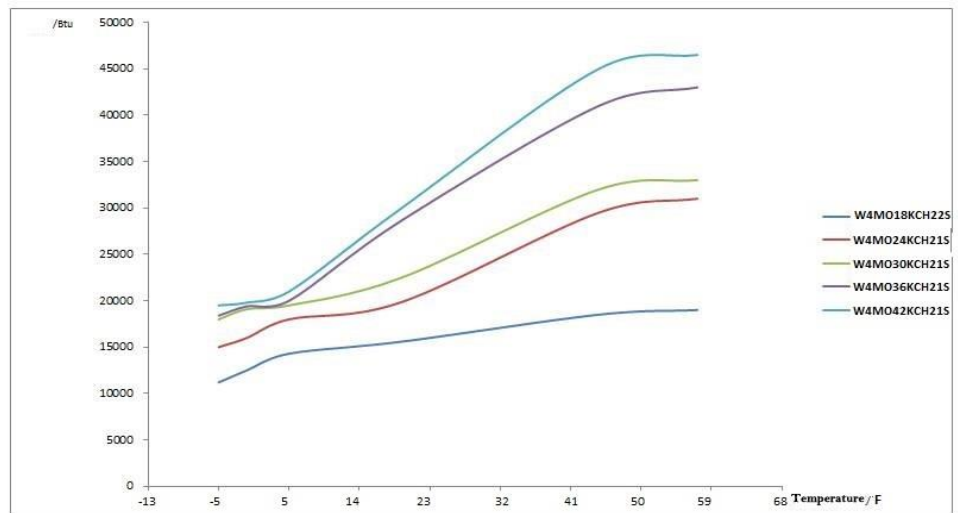
MODEL: MPD30KCH21S-O



**COMBINATIONS**

**30K ODU**

09 + 09	✓
09 + 12	✓
09 + 18	✓
09 + 24	✓
12 + 12	✓
12 + 18	✓
12 + 24	✓
18 + 18	✓
18 + 24	✓
09 + 09 + 09	✓
09 + 09 + 12	✓
09 + 09 + 18	✓
09 + 09 + 24	✓
09 + 12 + 18	✓
12 + 12 + 12	✓
12 + 12 + 18	✓
09 + 09 + 09 + 09	✓
09 + 09 + 09 + 12	✓
09 + 09 + 09 + 09 + 09	✓



**GLOSSARY**

SEER - Seasonal Energy Efficiency Ratio

EER - Energy Efficiency Ratio

HSPF - Heating Seasonal Performance Factor

MOP - Maximum Overcurrent Protection

MCA - Minimum Circuit Ampacity



5965 Chemin de la Côte de Liesse  
Saint laurent, QC, Canada, H4T 1C3

Contact: +1 438 792 1956

[info@willishvac.com](mailto:info@willishvac.com)

[www.willishvac.com](http://www.willishvac.com)

Multi zone inverter mini split

MODEL: MPD30KCH21S-O



**COOLING PERFORMANCE**

DB WB		Indoor Ambient Temperature											
		70 F 59 F			75 F 63 F			80 F 67 F			90 F 73 F		
		TC (BtuH)	SC (BtuH)	Input Power (watts)	TC (BtuH)	SC (BtuH)	Input Power (watts)	TC (BtuH)	SC (BtuH)	Input Power (watts)	TC (BtuH)	SC (BtuH)	Input Power (watts)
Outdoor Ambient Temperature (DB)	-0.4 F	17,230	13,510	1050	19,430	15,240	1110	20,540	16,110	1150	23,150	18,150	1230
	5 F	17,670	13,860	1050	19,930	15,630	1120	21,320	16,720	1150	23,730	18,620	1230
	14 F	18,500	14,510	1060	20,870	16,370	1120	22,060	17,300	1160	24,860	19,490	1240
	23 F	20,270	15,900	1060	23,090	18,110	1120	24,840	19,490	1150	27,330	21,430	1230
	32 F	20,368	17,612	1430	23,281	19,840	1430	25,621	21,538	1699	26,748	25,005	1612
	41 F	21,413	18,515	1503	24,474	20,857	1503	26,935	22,643	1786	28,119	26,288	1695
	50 F	22,305	19,287	1566	25,494	21,726	1566	28,057	23,586	1860	29,291	27,383	1765
	59 F	23,500	20,320	1650	26,860	22,890	1650	29,560	24,850	1960	30,860	28,850	1860
	68 F	24,520	21,135	1,736	27,550	23,714	1,760	30,313	25,704	2,009	31,228	29,201	2,025
	77 F	28,631	23,264	2,108	31,071	25,502	2,111	33,852	27,389	2,365	37,373	28,573	2,402
	86 F	30,859	24,172	2,826	33,084	26,134	2,853	35,179	32,712	2,905	39,601	29,290	2,955
	95 F	28,914	23,131	3,099	31,218	25,298	3,121	33,654	26,154	3,206	37,012	28,522	3,267
	104 F	22,851	20,906	2,566	24,550	22,872	2,583	26,052	24,462	2,773	28,321	25,171	2,668
	113 F	17,839	17,658	2,172	19,214	19,057	2,207	25,738	25,110	2,835	21,800	21,387	2,244
118 F	13,700	13,628	1,708	15,030	14,908	1,762	16,634	16,382	1,896	17,770	17,433	1,867	

**HEATING PERFORMANCE**

DB WB		Indoor Ambient Temperature											
		70 F 59 F			75 F 63 F			80 F 67 F			90 F 73 F		
DB		TC (BtuH)	SC (BtuH)	Input Power (watts)	TC (BtuH)	SC (BtuH)	Input Power (watts)	TC (BtuH)	SC (BtuH)	Input Power (watts)	TC (BtuH)	SC (BtuH)	Input Power (watts)
Outdoor Ambient Temperature (DB)	-4 F	17,060	17,060	1,500	16,580	16,580	1,530	16,260	16,260	1,580	15,850	15,850	1,620
	0 F	18,500	18,500	1,650	17,960	17,960	1,680	17,630	17,630	1,740	17,160	17,160	1,780
	5 F	19,510	19,510	1,720	18,950	18,950	1,750	18,590	18,590	1,820	18,110	18,110	1,860
	7 F	20,010	20,010	1,750	19,050	19,050	1,790	19,360	19,360	1,870	18,860	18,860	1,920
	17 F	20,940	20,940	1,790	20,330	20,330	1,830	19,950	19,950	1,900	19,420	19,420	1,940
	28 F	23,660	23,660	1,910	23,040	23,040	1,950	22,380	22,380	2,020	22,110	22,110	2,070
	38 F	29,420	29,420	2,200	28,800	28,800	2,240	28,140	28,140	2,330	27,870	27,870	2,380
	47 F	33,250	33,250	2,290	32,240	32,240	2,330	31,600	31,600	2,420	30,730	30,730	2,480
	57 F	34,350	34,350	2,330	33,310	33,310	2,380	32,650	32,650	2,470	31,740	31,740	2,520
	68 F	35,750	35,750	2,410	34,660	34,660	2,460	33,970	33,970	2,550	33,030	33,030	2,610
	77 F	36,580	36,580	2,470	35,470	35,470	2,520	34,760	34,760	2,620	33,800	33,800	2,680

**LEGEND**

DB --- Dry Bulb                      TC --- Total Net Cooling Capacity (BtuH)  
 WB --- Wet Bulb                    SC --- Sensible Capacity (BtuH) Input Power---(Watts)