

Single zone inverter mini split

MODEL: ELD12KCH15S

WILLIS

Job Name: _____

Location: _____

Engineer Name: _____

File Resubmit

Contractor: _____

System No: _____

Approval Other

Date: _____

General Features

- * Smart 1 Hertz Inverter Techn
- * Low Voltage Start-up
- * Comfortable Sleep Mode
- * Multiple Fan Speeds
- * Dehumidify
- * Memory Function
- * Fan Delay Function
- * Timer



Unit Performance:

<i>Cooling:</i>	
Capacity (Min-Rated-Max, Btu/h)	3,600-12,00-12,500
SEER	15
EER	9,23
<i>Heating:</i>	
Capacity (Min-Rated-Max, Btu/h)	5,300-13,000-13,500
HSPF	8,5
COP (W/W)	3,05

Unit Specification

Refrigerant Type	R410A
Refrigerant Charge (oz)	35,3
ODU Sound Pressure (dB(A))	53
IDU Sound Pressure (dB(A))	44/42/39/36
ODU Net Weight (lbs)	66,2
IDU Net Weight (lbs)	22
Dehumidifying (Pint/h)	2,96

Fan

ODU / IDU Type	Axial-flow/Cross-flow
Quantity (ODU + IDU)	1+1
Motor/Drive	Direct Drive
ODU Max Air Flow Rate (CFM)	2720
IDU Air Flow Rate (CFM)	335/277/253/218

Compressor

Cooling Operation Ambient temp. Range	64~109 °F
Heating Operation Ambient temp. Range	19~75 °F
Compressor Type	Rotary
Fan Motor Output (W)	21
Crankcase Heater	No

Electrical Specification

Power Supply	208-230V / 60Hz
Communications Wire Size	/
MOP (A)	15
MCA (A)	10
Cooling Rated Amps (A)	9
Heating Rated Amps (A)	9
Compressor RLA (A)	7,3
Indoor Fan Motor RLA (A)	0,2
Outdoor Fan Motor RLA (A)	0,25
Nominal Cooling Power Input (kW)	1,3
Nominal Heating Power Input (kW)	1,25

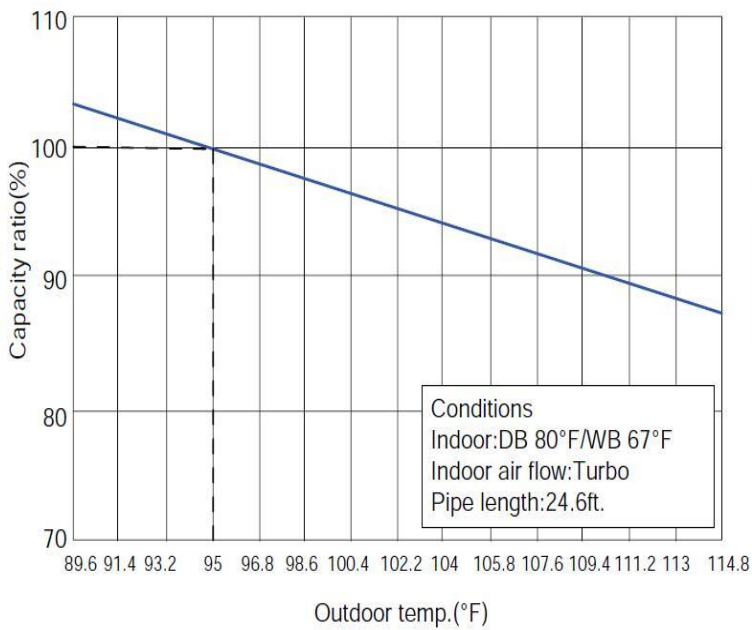
Piping

Liquid Line (in, OD)	1/4
Gas Line (in, OD)	3/8
Additional Refrigerant (oz./ft.)	0.2
Max Pipe Length (ft.)	65.6
Piping Length (no add'l refrigerant, ft.)	24.6
Max Elevation (ft.)	32.8

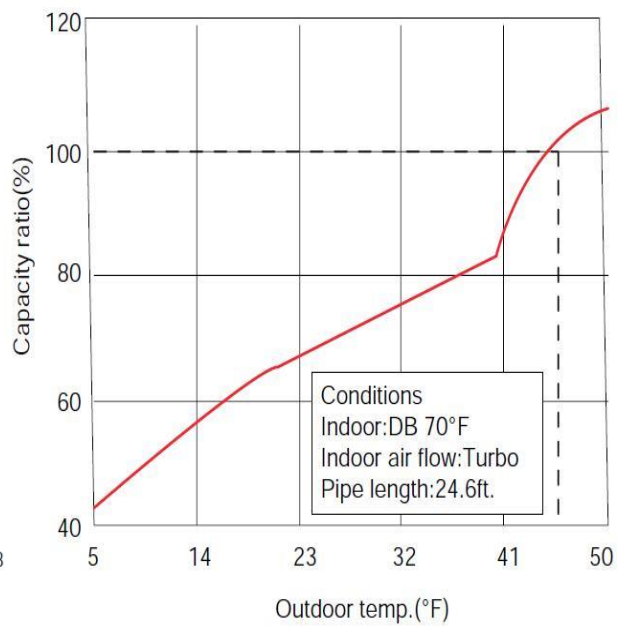


Capacity Variation Ratio According to Temperature

Cooling



Heating



Single zone inverter mini split

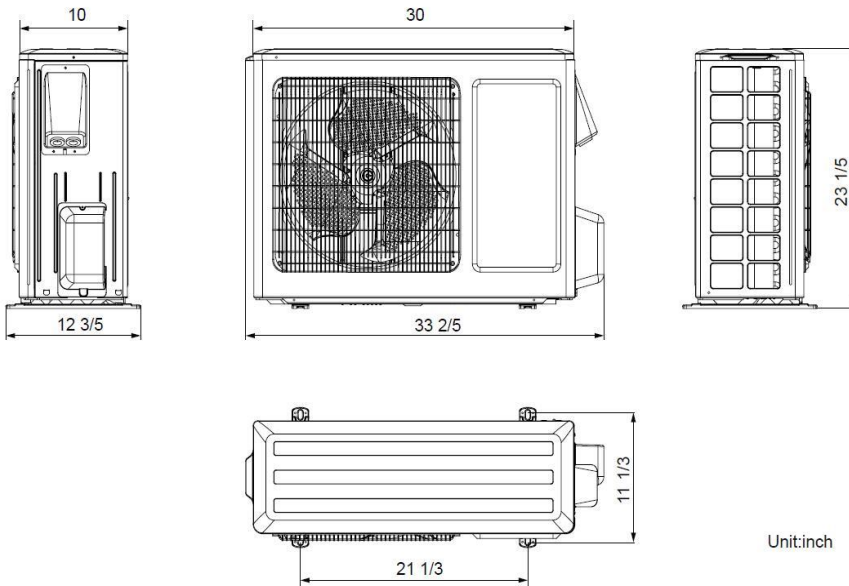
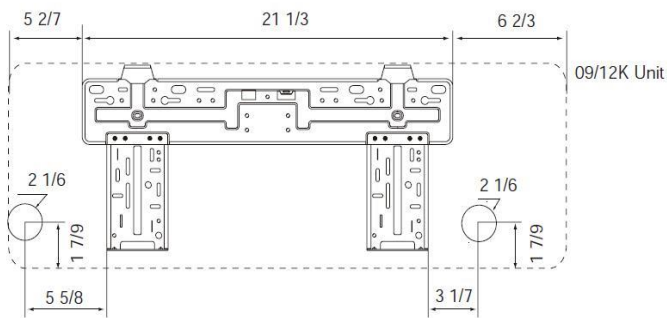
MODEL: ELD12KCH15S

WILLIS

Outline Dimension Diagram



Unit: Inch	
W:	33 2/7
H:	10 4/5
D:	7



GLOSSARY

SEER - Seasonal Energy Efficiency Ratio

EER - Energy Efficiency Ratio

HSPF - Heating Seasonal Performance Factor

MOP - Maximum Overcurrent Protection

MCA - Minimum Circuit Ampacity

WILLIS

5965 Chemin de la Côte de Liesse
Saint laurent, QC, Canada, H4T 1C3

Contact: +1 514 735 7147

info@willishvac.com

www.willishvac.com