

Single zone inverter mini split

MODEL: WAM24MH21S



Job Name:

Location:

Engineer Name:

File  Resubmit

Contractor:

System No:

Approval  Other

Date:

**General Features**

- Smart 1 Hertz Inverter Technology
- Low Ambient Cooling to 5 °F
- 7 Fan Speeds - from Mute to Turbo
- Technology 4-Way Airflow Operation
- Extended Airflow (9k & 12k sizes)
- Waterfall Heating Airflow
- Photocatalytic Filter
- Dry Anti-mildew Design
- LED Display
- Gold Fin Condenser
- Low Voltage Start-up
- Intelligent Pre-heating / Defrost
- High And Low Pressure Protection Features
- Load Protection Features
- Over-Current Protection
- Anti Freeze Protection



**Unit Performance:**

<i>Cooling:</i>	
Capacity (Min-Rated-Max, Btu/h)	6,826-24,000-29,352
SEER	21
EER	12.5
<i>Heating:</i>	
Capacity (Min-Rated-Max, Btu/h)	7,509-25,000-37,543
HSPF	10
COP (W/W)	3.1

\*\*\*\*

**Unit Specification**

Refrigerant Type	R410A
Refrigerant Charge (oz)	77.6
ODU Sound Pressure (dB(A))	56
IDU Sound Pressure (dB(A))	38/52
ODU Net Weight (lbs)	154.4
IDU Net Weight (lbs)	38.6
Dehumidifying (Pint/h)	5.3

*Fan*

ODU / IDU Type	Axial-flow/Cross-flow
Quantity (ODU + IDU)	1+1
Motor/Drive	Direct Drive
ODU Max Air Flow Rate (CFM)	4000
IDU Air Flow Rate (CFM)	294/647

**Compressor**

Cooling Operation Ambient temp. Range	- 0.4~115 °F
Heating Operation Ambient temp. Range	-5~75.2 °F
Compressor Type	Rotary
Fan Motor Output (W)	90
Crankcase Heater	Yes

**Electrical Specification**

Power Supply	208-230V / 60Hz
Communications Wire Size	AWG 12
MOP (A)	30
MCA (A)	20
Cooling Rated Amps (A)	14.23
Heating Rated Amps (A)	17.17
Compressor RLA (A)	14.67
Indoor Fan Motor RLA (A)	0.38
Outdoor Fan Motor RLA (A)	0.65
Nominal Cooling Power Input (kW)	2
Nominal Heating Power Input (kW)	2.3

*Piping*

Liquid Line (in, OD)	1/4
Gas Line (in, OD)	5/8
Additional Refrigerant (oz./ft.)	0.5
Max Pipe Length (ft.)	98.4
Piping Length (no add'l refrigerant, ft.)	24.6
Max Elevation (ft.)	32.8

AHRI Certification Ref #	7117102
--------------------------	---------



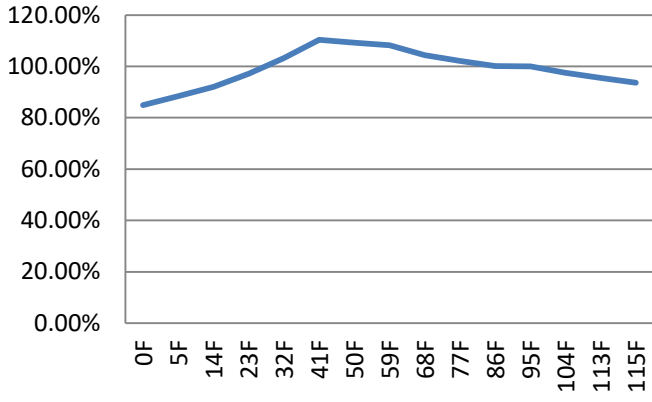
Single zone inverter mini split

MODEL: WAM24MH21S

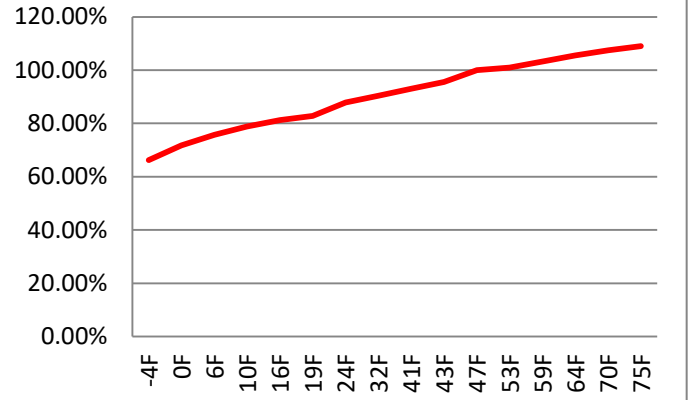


Capacity Variation Ratio According to Temperature

### Cooling Performance



### Heating Performance

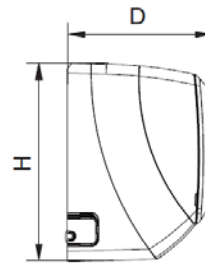
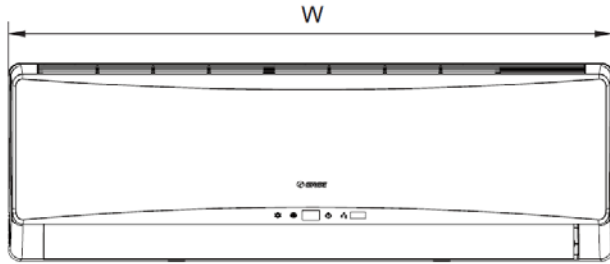


Single zone inverter mini split

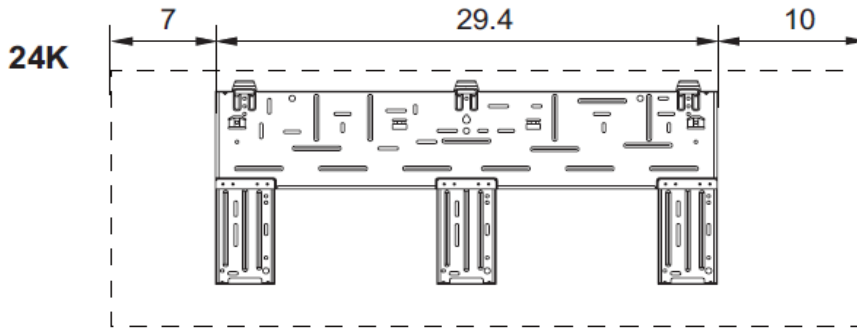
MODEL: WAM24MH21S



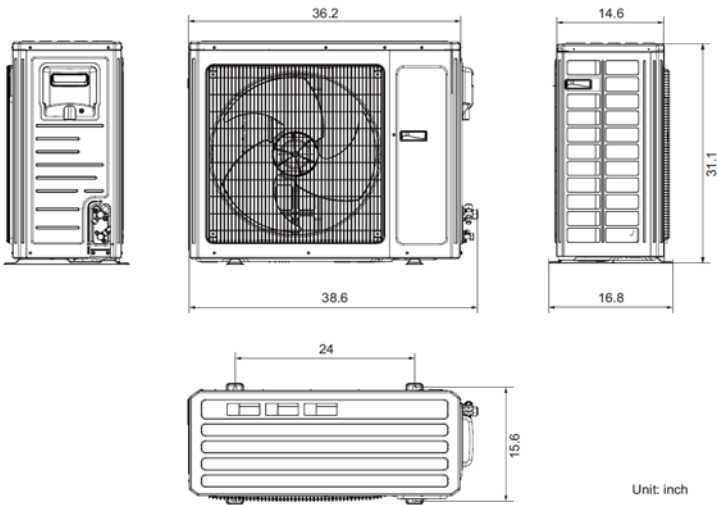
**Outline Dimension Diagram**



W	H	D
46.4	12.8	10.4



24K



Unit: inch

**GLOSSARY**

- SEER - Seasonal Energy Efficiency Ratio
- EER - Energy Efficiency Ratio
- HSPF - Heating Seasonal Performance Factor
- MOP - Maximum Overcurrent Protection
- MCA - Minimum Circuit Ampacity



5965 Chemin de la Côte de Liesse  
Saint laurent, QC, Canada, H4T 1C3

Contact: +1 438 792 1956

[info@willisac.com](mailto:info@willisac.com)

[www.willisac.com](http://www.willisac.com)