

Single zone inverter mini split

MODEL: WAM12MH25S



Job Name: _____

Location: _____

Engineer Name: _____

File Resubmit

Contractor: _____

System No: _____

Approval Other

Date: _____

General Features

- Smart 1 Hertz Inverter Technology
- Low Ambient Cooling to 5 °F
- 7 Fan Speeds - from Mute to Turbo
- Technology 4-Way Airflow Operation
- Extended Airflow (9k & 12k sizes)
- Waterfall Heating Airflow
- Photocatalytic Filter
- Dry Anti-mildew Design
- LED Display
- Gold Fin Condenser
- Low Voltage Start-up
- Intelligent Pre-heating / Defrost
- High And Low Pressure Protection Features
- Load Protection Features
- Over-Current Protection
- Anti Freeze Protection



Unit Performance:

<i>Cooling:</i>	
Capacity (Min-Rated-Max, Btu/h)	3,100-12,000-13,000
SEER	25
EER	12.8
<i>Heating:</i>	
Capacity (Min-Rated-Max, Btu/h)	2,400-13,000-14,000
HSPF	10
COP (W/W)	3.5

Unit Specification

Refrigerant Type	R410A
Refrigerant Charge (oz)	45.9
ODU Sound Pressure (dB(A))	49
IDU Sound Pressure (dB(A))	24/44
ODU Net Weight (lbs)	87
IDU Net Weight (lbs)	24.2
Dehumidifying (Pint/h)	2.96

Fan

ODU / IDU Type	Axial-flow/Cross-flow
Quantity (ODU + IDU)	1+1
Motor/Drive	Direct Drive
ODU Max Air Flow Rate (CFM)	2000
IDU Air Flow Rate (CFM)	118/453

Compressor

Cooling Operation Ambient temp. Range	- 0.4 ~ 115 °F
Heating Operation Ambient temp. Range	-5 ~ 75.2 °F
Compressor Type	Rotary
Fan Motor Output (W)	40
Crankcase Heater	Yes

Electrical Specification

Power Supply	208-230V / 60Hz
Communications Wire Size	AWG 18
MOP (A)	15
MCA (A)	10
Cooling Rated Amps (A)	9
Heating Rated Amps (A)	9
Compressor RLA (A)	6.2
Indoor Fan Motor RLA (A)	0.07
Outdoor Fan Motor RLA (A)	0.18
Nominal Cooling Power Input (kW)	0.88
Nominal Heating Power Input (kW)	0.96

Piping

Liquid Line (in, OD)	1/4
Gas Line (in, OD)	1/2
Additional Refrigerant (oz./ft.)	0.215
Max Pipe Length (ft.)	65.6
Piping Length (no add'l refrigerant, ft.)	24.6
Max Elevation (ft.)	32.8

AHRI Certification Ref #

7117082



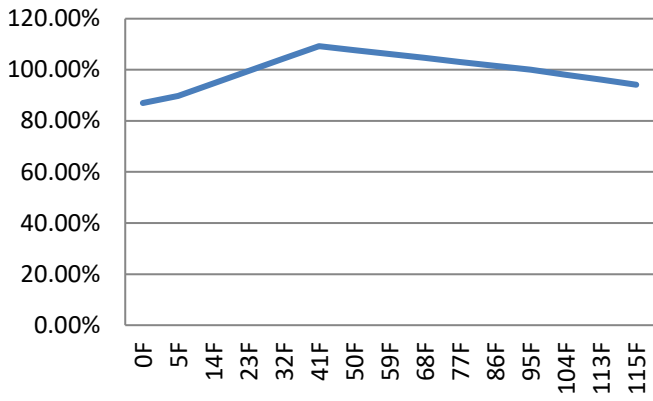
Single zone inverter mini split

MODEL: WAM12MH25S

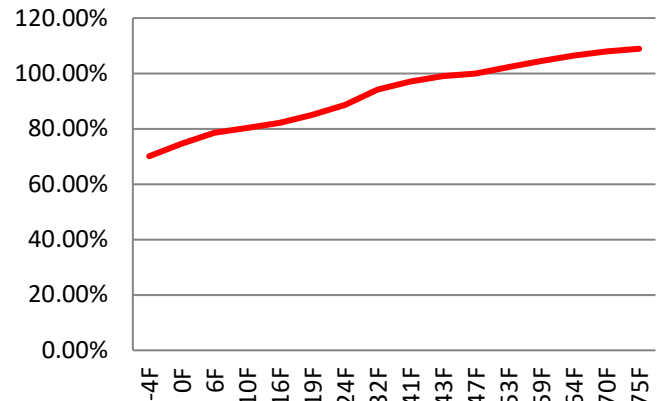


Capacity Variation Ratio According to Temperature

Cooling Performance



Heating Performance

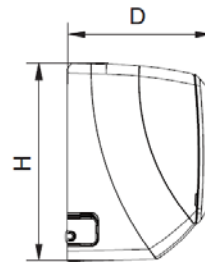
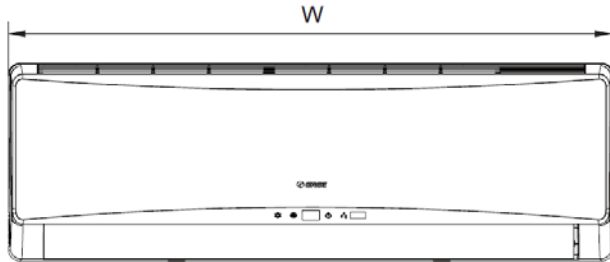


Single zone inverter mini split

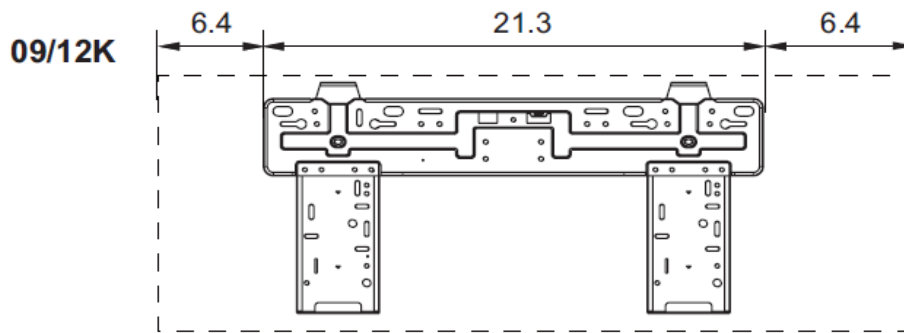
MODEL: WAM12MH25S



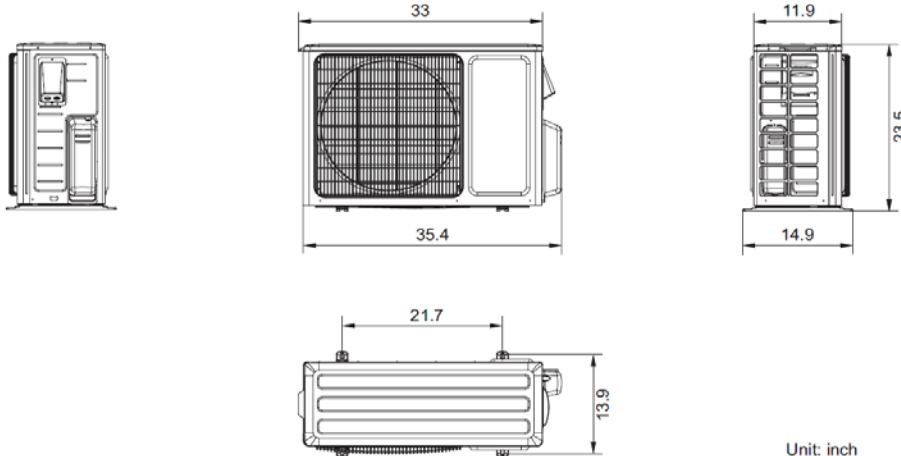
Outline Dimension Diagram



W	H	D
34.1	11.5	8.2



09/12K



Unit: inch

GLOSSARY

SEER - Seasonal Energy Efficiency Ratio

EER - Energy Efficiency Ratio

HSPF - Heating Seasonal Performance Factor

MOP - Maximum Overcurrent Protection

MCA - Minimum Circuit Ampacity



5965 Chemin de la Côte de Liesse
Saint laurent, QC, Canada, H4T 1C3

Contact: +1 438 792 1956

info@willisac.com

www.willisac.com