

**Submittal Data: WUHOM-36K3PU22S**      **18,000 BTU/H Heat- Pump System**

Job Name \_\_\_\_\_ Location \_\_\_\_\_ Date \_\_\_\_\_

Purchaser \_\_\_\_\_ Engineer \_\_\_\_\_

Submitted To \_\_\_\_\_ For  Reference  Approval  Construction

Unit Designation \_\_\_\_\_ Schedule No. \_\_\_\_\_

**GENERAL FEATURES**

- MultiMix
- UltraHeat
- High HSPF



**System Ratings**

<b>Cooling</b>		
Rated Capacity		28,000 BTU/H
EER		13
SEER		22
<b>Heating at 47° F</b>		
Rated Capacity		28,000 BTU/H
HSPF Zone 4		10.4
HSPF Zone 5		9
<b>Heating at 17° F</b>		
Rated Capacity		28,000 BTU/H

**Outdoor Unit Data**

<b>Compressor</b>	Type	DC Inverter Driven Rotary
	RLA	22 A
<b>Fan Motor</b>	Output Power	120 W
	FLA	1.3 A
	Air Flow (Max)	2355 CFM
<b>Sound Pressure Level</b>		62.3 dB(A)
<b>Dimensions &amp; Weights</b>		
Unit Dimensions (WxHxD)		37.24 x 31.89 x 16.14 -
Weight (Net/Shipping)		in 157/168 LBS
Min. Number of Indoor Units		2
Max. Number of Indoor Units		4*

**Operating Range**

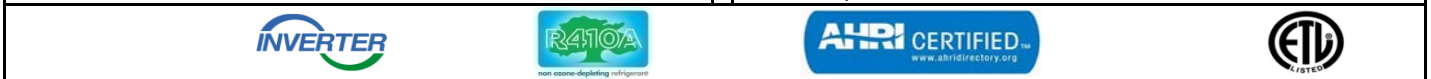
Cooling	(Max)	122°F (50 °C)
	(Min)	-22°F (-30 °C)
Heating	(Max)	86°F (30 °C)
	(Min)	-22°F (-30 °C)

**Refrigerant Piping Data**

Refrigerant Type	R410A
Connection Method	Flared
Factory Charge for Total Line Length	25-ft
Additional Charge Per Line Length	0.161-oz/ft
Total Refrigerant Pipe Length	148-ft
Max Refrigerant Piping Length to any Indoor Unit	82-ft
Min Refrigerant Piping Length to any Indoor Unit	10-ft
Max Elevation between Indoor Units	33-ft
Max Lift from Outdoor to Indoor Unit	33-ft
Max Drop from Outdoor to Indoor Unit	33-ft

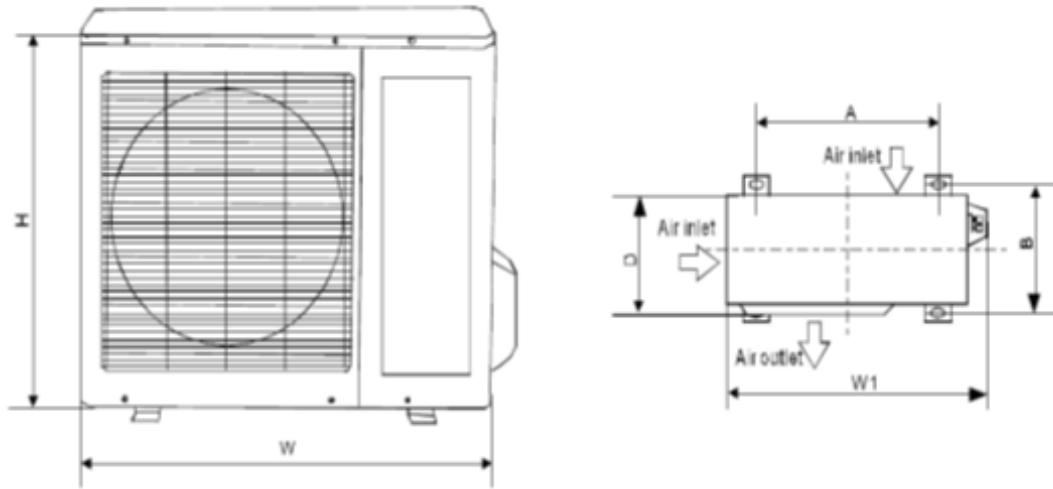
**Power Supply**

Normal Operational Voltage	208/230 V, 1 Phase, 60 Hz
Voltage Range	187 - 253 V
Main Power Wire Size	12-2 AWG
Interconnecting Cable Wire Size	14-4 AWG
MCA	27 A
MOCP/Breaker Size	40 A



Units: inch (mm)

**24,000 BTUH MODEL**

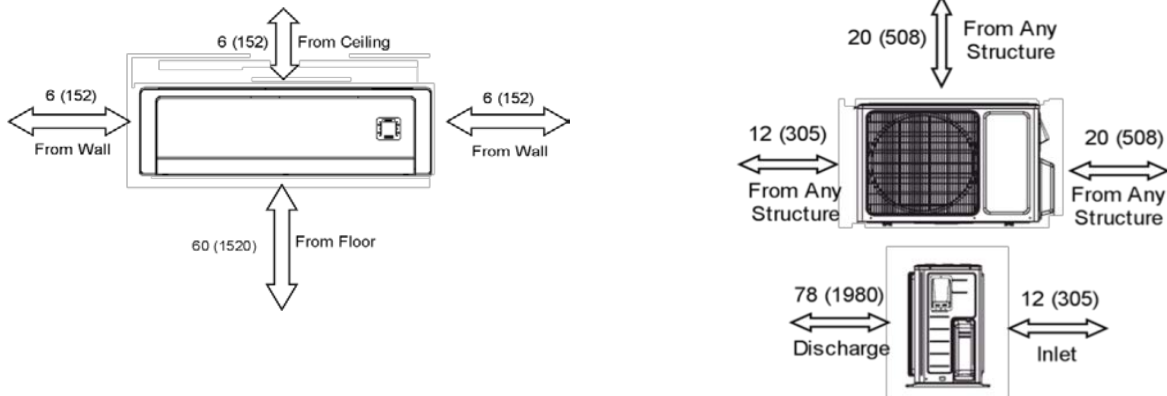


W (inch)	D (inch)	H (inch)	W1inch)	A(inch)	B (inch)
37.24	16.54	31.89	40.55	26.5	17.87

Liquid Line Valve      3 x 1/4-in OD Flared  
 Gas Line Valve        3 x 3/8-in OD Flared

**MINIMUM SPACING REQUIREMENTS**

Units: inch (mm)



**Notes:**

1. Recommended Interconnecting Cable Type Stranded Bare Copper Conductors THHN 600V Unshielded Wire
2. Power wiring cable size must comply with applicable national and local codes.
3. Test conditions are based on AHRI 210/240.

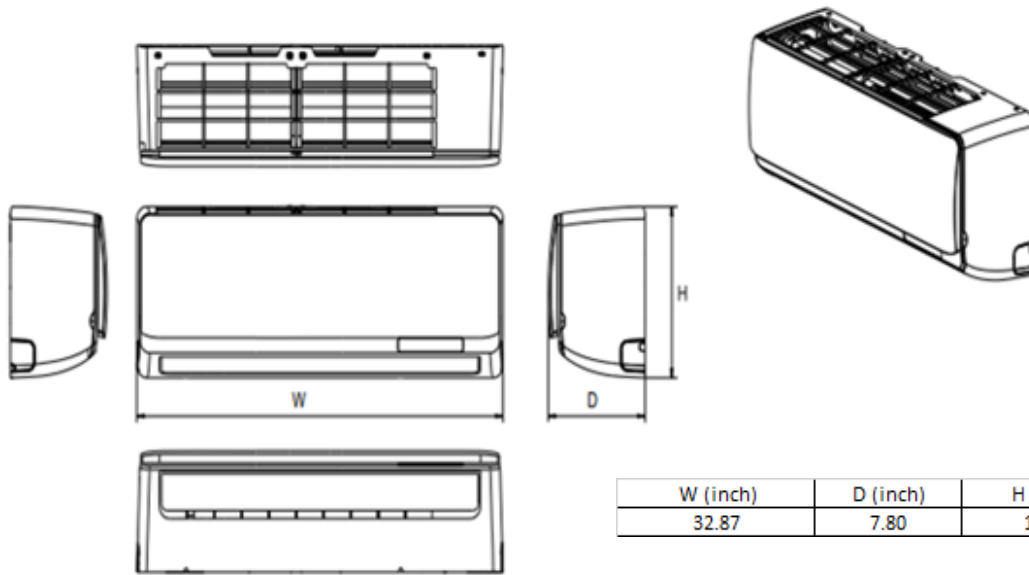


Specifications are subject to change without notice. Manufacturer reserves the right to discontinue or modify specifications or designs without notice or without incurring obligations. All rights reserved.

Units: inch (mm)

**9,000 AND 12,000 Btu/h MODELS**

Model #WUHI-09KHW 9,000 BTUH  
 Model #WUHI-12KHW 12,000 BTUH



W (inch)	D (inch)	H (inch)
32.87	7.80	11.02

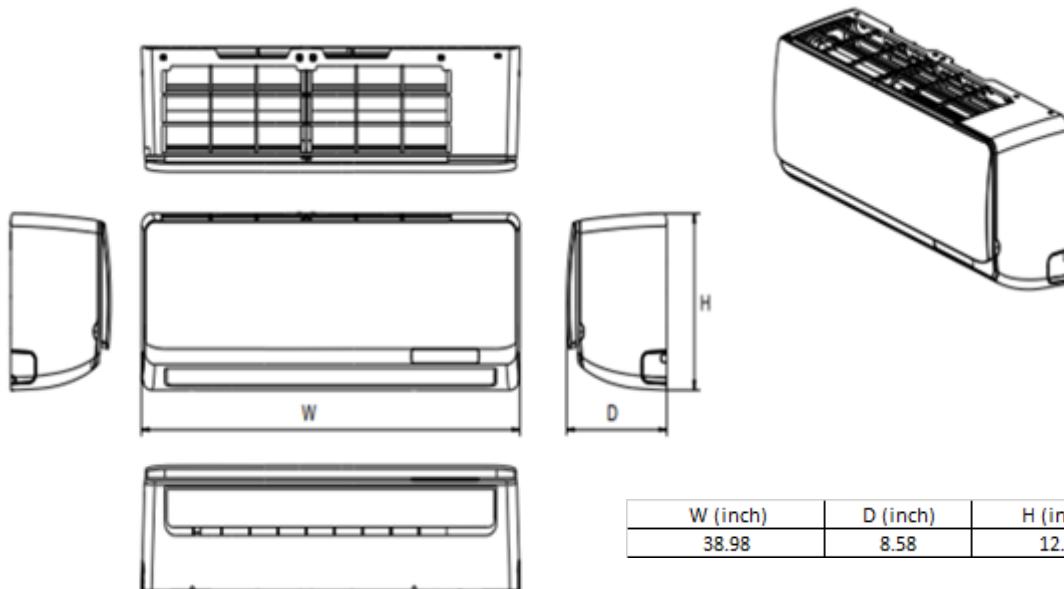
Indoor Capacity Size	Fan (watts)	CFM (High)	Sound Level (Low/High)
9,000 BTUH	20	418	27/45
12,000 BTUH	20	418	27/46

Liquid Line Valve	1/4-in OD Flared
Gas Line Valve	3/8-in OD Flared
Drain Connector	5/8-in OD

Units: inch (mm)

**18,000 Btu/h MODEL**

Model #WUHI-18KHW 18,000 Btu/h



W (inch)	D (inch)	H (inch)
38.98	8.58	12.4

Indoor Capacity Size	Fan (watts)	CFM (High)	Sound Level (Low/High)
18,000 Btu/h	58	500	35/46

Liquid Line Valve	1/4-in OD Flared
Gas Line Valve	1/2-in OD Flared
Drain Connector	5/8-in OD

Specifications are subject to change without notice. Manufacturer reserves the right to discontinue or modify specifications or designs without notice or without incurring obligations. All rights reserved.