

Submittal Data: WUHOM-27K2PU23S **18,000 BTU/H Heat- Pump System**

Job Name _____ Location _____ Date _____

Purchaser _____ Engineer _____

Submitted To _____ For Reference Approval Construction

Unit Designation _____ Schedule No. _____

GENERAL FEATURES

- MultiMix
- UltraHeat
- High HSPF



System Ratings

Cooling		
Rated Capacity		19,000 BTU/H
EER		12.5
SEER		21.5
Heating at 47° F		
Rated Capacity		20,000 BTU/H
HSPF Zone 4		9.8
HSPF Zone 5		8.5
Heating at 17° F		
Rated Capacity		20,000 BTU/H

Outdoor Unit Data

Compressor	Type	DC Inverter Driven Rotary
	RLA	20 A
Fan Motor	Output Power	120 W
	FLA	0.9 A
	Air Flow (Max)	2130 CFM
Sound Pressure Level		63.5 db(A)
Dimensions & Weights		
Unit Dimensions (WxHxD)		37.24 x 31.89 x 16.14 -in
Weight (Net/Shipping)		150/161 LBS
Min. Number of Indoor Units		2
Max. Number of Indoor Units		3*

Operating Range

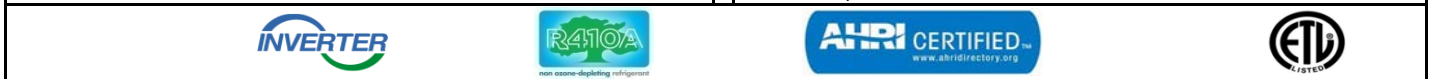
Cooling	(Max)	122°F (50 °C)
	(Min)	-22°F (-30 °C)
Heating	(Max)	86°F (30 °C)
	(Min)	-22°F (-30 °C)

Refrigerant Piping Data

Refrigerant Type	R410A
Connection Method	Flared
Factory Charge for Total Line Length	25-ft
Additional Charge Per Line Length	0.161-oz/ft
Total Refrigerant Pipe Length	98-ft
Max Refrigerant Piping Length to any Indoor Unit	66-ft
Min Refrigerant Piping Length to any Indoor Unit	10-ft
Max Elevation between Indoor Units	33-ft
Max Lift from Outdoor to Indoor Unit	33-ft
Max Drop from Outdoor to Indoor Unit	33-ft

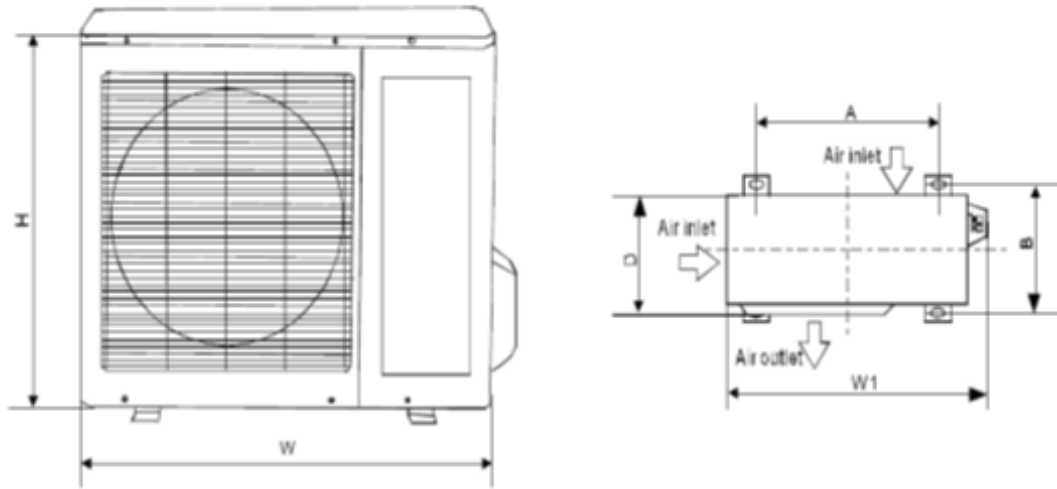
Power Supply

Normal Operational Voltage	208/230 V, 1 Phase, 60 Hz
Voltage Range	187 - 253 V
Main Power Wire Size	12-2 AWG
Interconnecting Cable Wire Size	14-4 AWG
MCA	19 A
MOCP/Breaker Size	25 A



Units: inch (mm)

18,000 BTUH MODEL

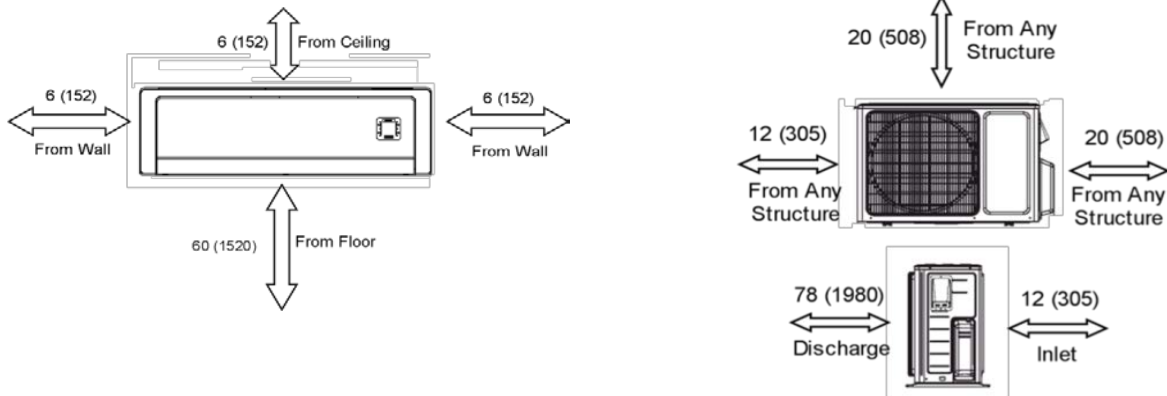


W (inch)	D (inch)	H (inch)	W1inch)	A(inch)	B (inch)
37.24	16.54	31.89	40.55	26.5	17.87

Liquid Line Valve 3 x 1/4-in OD Flared
 Gas Line Valve 3 x 3/8-in OD Flared

MINIMUM SPACING REQUIREMENTS

Units: inch (mm)



Notes:

1. Recommended Interconnecting Cable Type Stranded Bare Copper Conductors THHN 600V Unshielded Wire
2. Power wiring cable size must comply with applicable national and local codes.
3. Test conditions are based on AHRI 210/240.

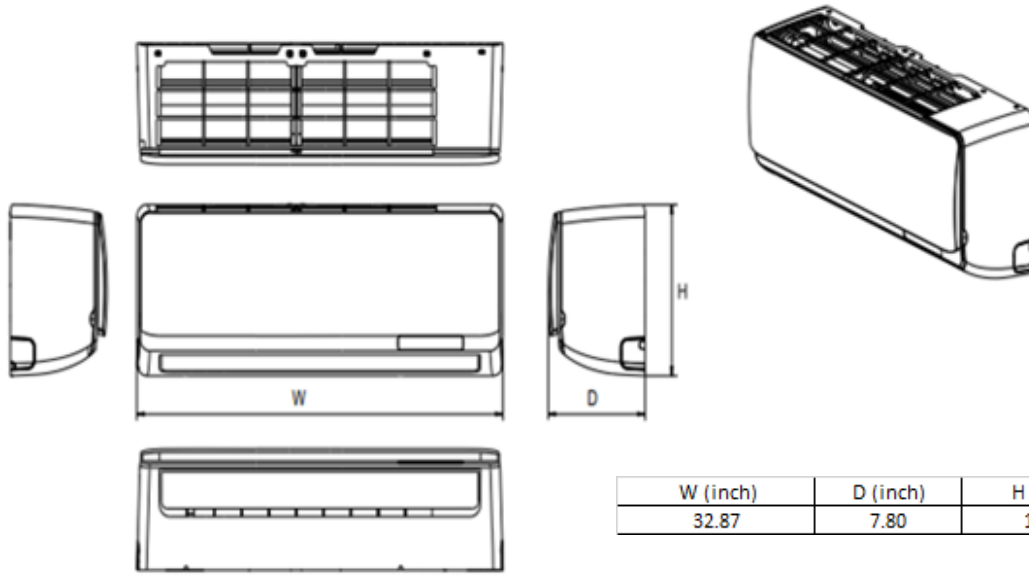


Specifications are subject to change without notice. Manufacturer reserves the right to discontinue or modify specifications or designs without notice or without incurring obligations. All rights reserved.

Units: inch (mm)

9,000 AND 12,000 Btu/h MODELS

Model #WUHI-09KHW 9,000 BTUH
 Model #WUHI-12KHW 12,000 BTUH



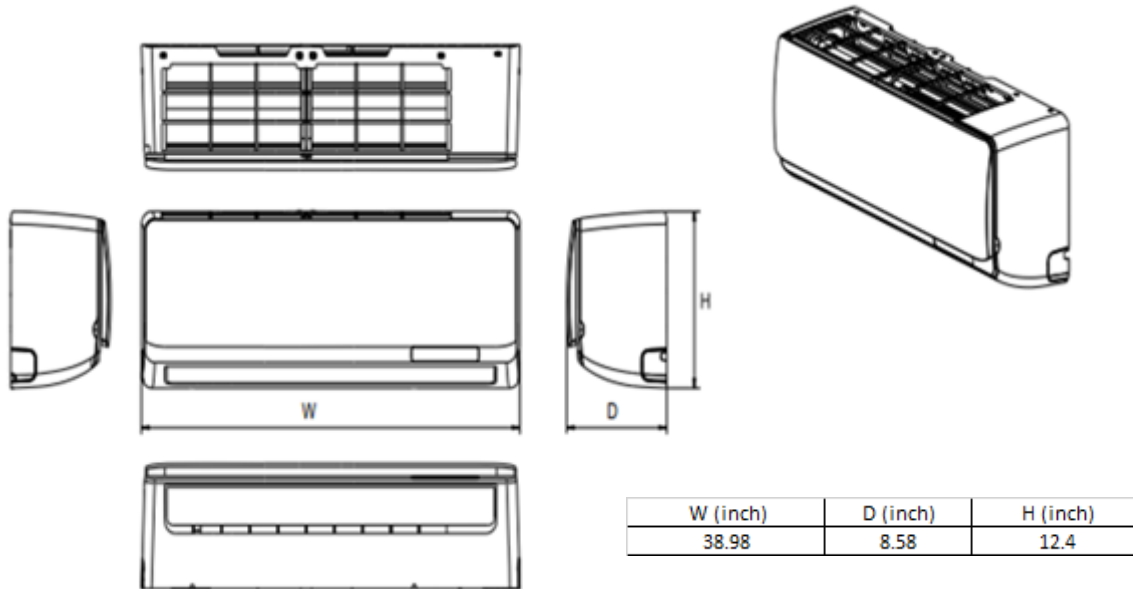
Indoor Capacity Size	Fan (watts)	CFM (High)	Sound Level (Low/High)
9,000 BTUH	20	418	27/45
12,000 BTUH	20	418	27/46

Liquid Line Valve	1/4-in OD Flared
Gas Line Valve	3/8-in OD Flared
Drain Connector	5/8-in OD

Units: inch (mm)

18,000 Btu/h MODEL

Model #WUHI-18KHW 18,000 Btu/h



Indoor Capacity Size	Fan (watts)	CFM (High)	Sound Level (Low/High)
18,000 Btu/h	58	500	35/46

Liquid Line Valve	1/4-in OD Flared
Gas Line Valve	1/2-in OD Flared
Drain Connector	5/8-in OD

Specifications are subject to change without notice. Manufacturer reserves the right to discontinue or modify specifications or designs without notice or without incurring obligations. All rights reserved.