

Submittal Data: WUHI-18KHW 18,000 BTU/h Wall Mounted Heat- Pump System

Job Name	Location	Date
Purchaser	Engineer	
Submitted To	For <input type="checkbox"/> Reference <input type="checkbox"/> Approval <input type="checkbox"/> Construction	
Unit Designation	Schedule No.	

GENERAL FEATURES

- MultiMix
- Ultra Heat
- High HSPF



System Ratings

Cooling	
Rated Capacity	17,000 BTU/h
Capacity Range	6,000 - 19,500 BTU/h
Power Input	1,360 W
SEER (Btu/h / W)	20
EER (Btu/h / W)	12.5
Heating	
Rated Capacity	18,000 BTU/h
Capacity Range	6,000 - 21,000 BTU/h
Power Input	1,685 W
HSPF Zone 4	10.3
HSPF Zone 5	8.8
COP	3.1
Heating at 5°F	
Capacity	18,000 BTU/h

Indoor Unit Data

Fan Motor	Output Power	58 W
	RLA	0.13 A
Airflow		
High / Medium / Low		599/411/353 CFM
		950/750/600 m³/h
Sound Pressure Level		
High / Medium / Low		48/38.5/29 dB(A)
Dehumidification		1.7 L/h
		3.59 pt/h
Dimensions & Weights		
Unit Dimensions(WxHxD)		38.98×12.40×8.58-in
Weight (Net/Gross)		26.89/34.83 LBS

Outdoor Unit Data

Compressor	DC Inverter Driven Rotary
Refrigerant Type	R410A
Fan Motor	Output Power
	RLA
	50 W
	0.42 A
Sound Pressure	59 dB(A)
Dimensions & Weights	
Unit Dimensions(WxHxD)	33.27×27.64×14.29-in
Weight (Net/Gross)	107.4/115.1 LBS

Electrical Ratings

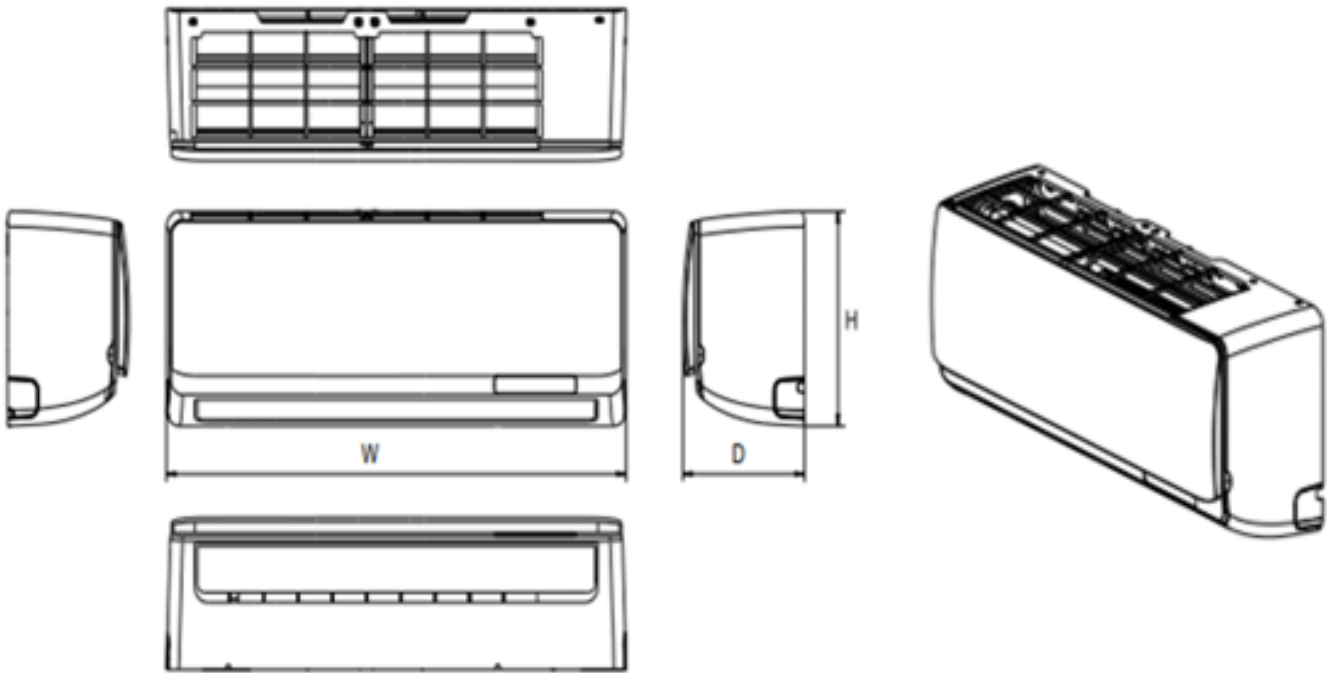
Normal Operational Voltage	208/230 V, 1 Phase, 60 Hz
Interconnecting Cable Wire Size	16-4 AWG
MCA	18 A
MOCP/Breaker Size	25 A

Refrigerant Piping Data	
Gas Pipe Size (OD)	1/2-in
Liquid Pipe Size (OD)	1/4-in
Connection Method	Flared
MAX Refrigerant Pipe Length	98-ft
MIN Refrigerant Pipe Length	10-ft
MAX Refrigerant Pipe Height Difference	66-ft

DIMENSIONAL SPECIFICATIONS

INDOOR UNIT DIMENSIONS

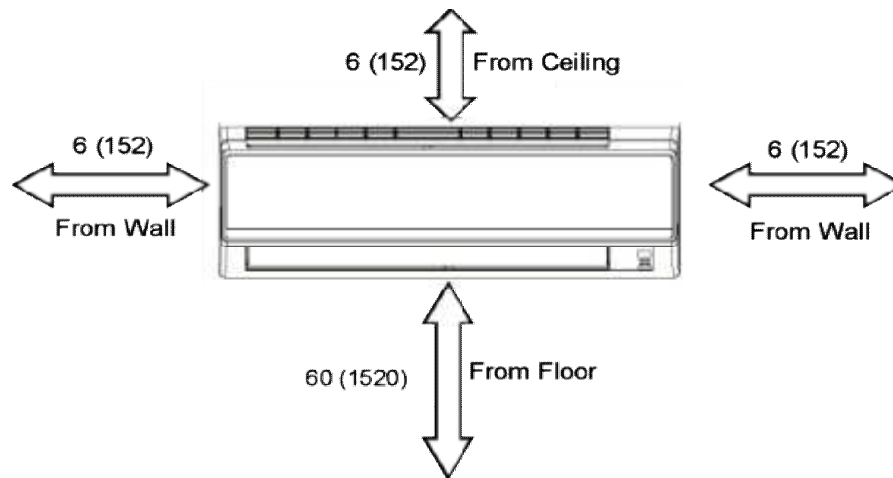
Units: inch



W (inch)	D (inch)	H (inch)
38.98	8.58	12.4

Liquid Line Valve	1/4-in OD Flared
Gas Line Valve	1/2-in OD Flared
Drain Connector	1-in OD

MINIMUM SPACING REQUIREMENTS



Notes:

1. Recommended Interconnecting Cable Type Stranded Bare Copper Conductors THHN 600V Wire
2. Power wiring cable size must comply with applicable national and local codes.
3. Test conditions are based on AHRI 210/240.



Specifications are subject to change without notice. Manufacturer reserves the right to discontinue or modify specifications or designs without notice or without incurring obligations. All rights reserved.