

**Submittal Data: WUHI-18KCT** **18,000 BTU/h Ceiling Cassette Heat Pump System**

Job Name \_\_\_\_\_ Location \_\_\_\_\_ Date \_\_\_\_\_

Purchaser \_\_\_\_\_ Engineer \_\_\_\_\_

Submitted To \_\_\_\_\_ For  Reference  Approval  Construction

Unit Designation \_\_\_\_\_ Schedule No. \_\_\_\_\_

**GENERAL FEATURES**

- MultiMix
- UltraHeat
- High HSPF

**System Ratings**

|                         |              |
|-------------------------|--------------|
| <b>Cooling</b>          |              |
| Rated Capacity          | 16,000 BTU/h |
| EER                     | 12.5         |
| SEER                    | 20           |
| <b>Heating at 47° F</b> |              |
| Rated Capacity          | 18,000 BTU/h |
| HSPF Zone 4             | 10.5         |
| HSPF Zone 5             | 8.7          |
| <b>Heating at 5°F</b>   |              |
| Rated Capacity          | 18,000 BTU/h |

**Electrical Ratings**

|                                 |                           |
|---------------------------------|---------------------------|
| Normal Operational Voltage      | 208/230 V, 1 Phase, 60 Hz |
| Voltage Range                   | 187 - 253 V               |
| MCA & MCOP/Breaker              | 1.9 A & 15 A              |
| Interconnecting Cable Wire Size | 14-4 AWG                  |

**Refrigerant Piping Data**

|  |        |
|--|--------|
| Refrigerant Type                       | R410A  |
| Gas Pipe Size (OD)                     | 3/8-in |
| Liquid Pipe Size (OD)                  | 1/4-in |
| Drain Size (OD)                        | 1-in   |
| Connection Method                      | Flared |
| MAX Refrigerant Pipe Length            | 98-ft  |
| MAX Refrigerant Pipe Height Difference | 66-ft  |



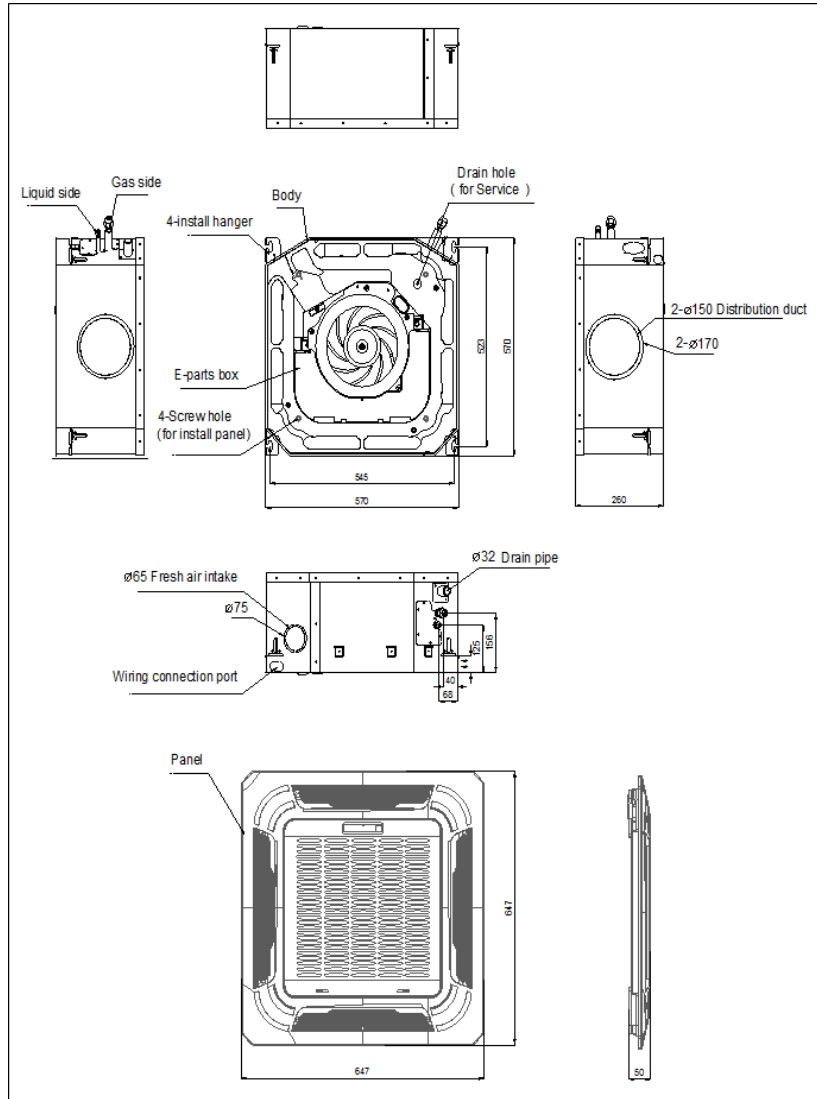
**Indoor Unit Data**

|                                   |  |
|-----------------------------------|--|
| <b>Fan Motor</b> Output Power     | 46 W   |
| RLA                               | 1.5 A  |
| <b>Air Flow (max)</b>             | 550 CFM  |
| <b>Sound Pressure (Hi/Med/Lo)</b> | 44/40/38 db(A)                                 |
| Body Dimensions (WxDxH)           | 570 x 570 x 260 --mm<br>22.4 x 22.4 x 10.2 -in |
| Weight (Net/Shipping)             | 35/41 LBS                                      |
| Grille Dimensions (WxDxH)         | 647x 647 x 50 --mm<br>25.5 x 25.5 x 11.4 -in   |
| Weight (Net/Shipping)             | 5.5/9.9 LBS                                    |

**Outdoor Unit Data**

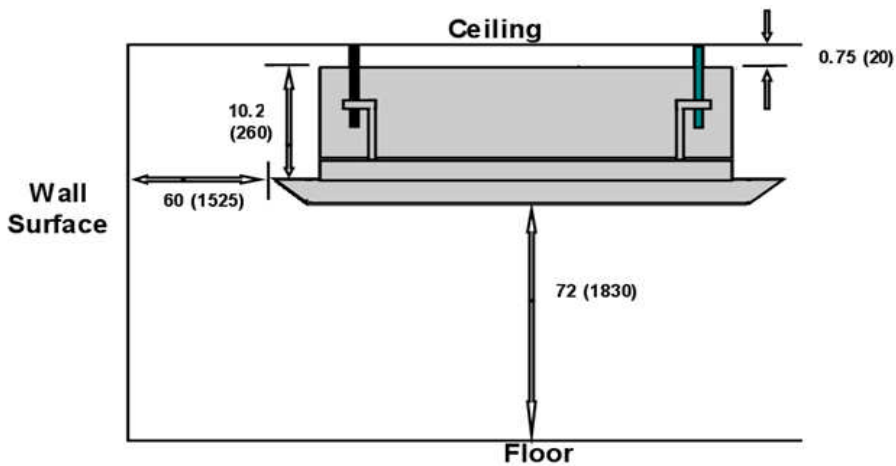
|                               |                           |
|-------------------------------|---------------------------|
| <b>Compressor</b>             | DC Inverter Driven Rotary |
| <b>Fan Motor</b> Output Power | 50 W                      |
| <b>Sound Pressure Level</b>   | 59 db(A)                  |
| <b>Dimensions&amp;Weights</b> |                           |
| Unit Dimensions (WxDxH)       | 33.3 x 14.3 x 27.6 -in    |
| Weight (Net/Shipping)         | 107/115 LBS               |





**MINIMUM CLEARANCES**

Units: inch (mm)



**Notes:**

1. Recommended Interconnecting Cable Type Stranded Bare Copper Conductors THHN 600V Unshielded Wire
2. Power wiring cable size must comply with applicable national and local codes.
3. Test conditions are based on AHRI 210/240.

