

**Submittal Data: WUHI-12KHW** 12,000 BTU/h Wall Mounted Heat- Pump System

Job Name	Location	Date
Purchaser	Engineer	
Submitted To	For <input type="checkbox"/> Reference <input type="checkbox"/> Approval <input type="checkbox"/> Construction	
Unit Designation	Schedule No.	

**GENERAL FEATURES**

- MultiMix
- Ultra Heat
- High HSPF



**System Ratings**

<b>Cooling</b>	
Rated Capacity	12,000 BTU/h
Capacity Range	3,000 - 14,500 BTU/h
Power Input	960 W
SEER (Btu/h / W)	22.5
EER (Btu/h / W)	12.5
<b>Heating</b>	
Rated Capacity	11,800 BTU/h
Capacity Range	3,500 - 14,500 BTU/h
Power Input	1475 W
HSPF Zone 4	12
HSPF Zone 5	9.9
COP	3.5
<b>Heating at 5°F</b>	
Capacity	11,800 BTU/h

**Indoor Unit Data**

<b>Fan Motor</b>	Output Power	20 W
	RLA	0.06 A
<b>Airflow</b>		
	High / Medium / Low	418/324/247 CFM
		710/550/420 m <sup>3</sup> /h
<b>Sound Pressure Level</b>		
	High / Medium / Low	44.5/36/27 dB(A)
<b>Dehumidication</b>		1.2 L/h
		2.54 pt/h
<b>Dimensions &amp; Weights</b>		
	Unit Dimensions(WxHxD)	32.87×7.80×11.02-in
	Weight (Net/Gross)	19.84/25.35 LBS

**Outdoor Unit Data**

<b>Compressor</b>	DC Inverter Driven Rotary	
<b>Refrigerant Type</b>	R410A	
<b>Fan Motor</b>	Output Power	40 W
	RLA	0.38 A
<b>Sound Pressure</b>		58.5 dB(A)
<b>Dimensions &amp; Weights</b>		
	Unit Dimensions(WxHxD)	31.50×21.81×13.11-in
	Weight (Net/Gross)	88.2/93.7 LBS

**Electrical Ratings**

Normal Operational Voltage	208/230 V, 1 Phase, 60 Hz
Interconnecting Cable Wire Size	16-4 AWG
MCA	9 A
MOCP/Breaker Size	15 A

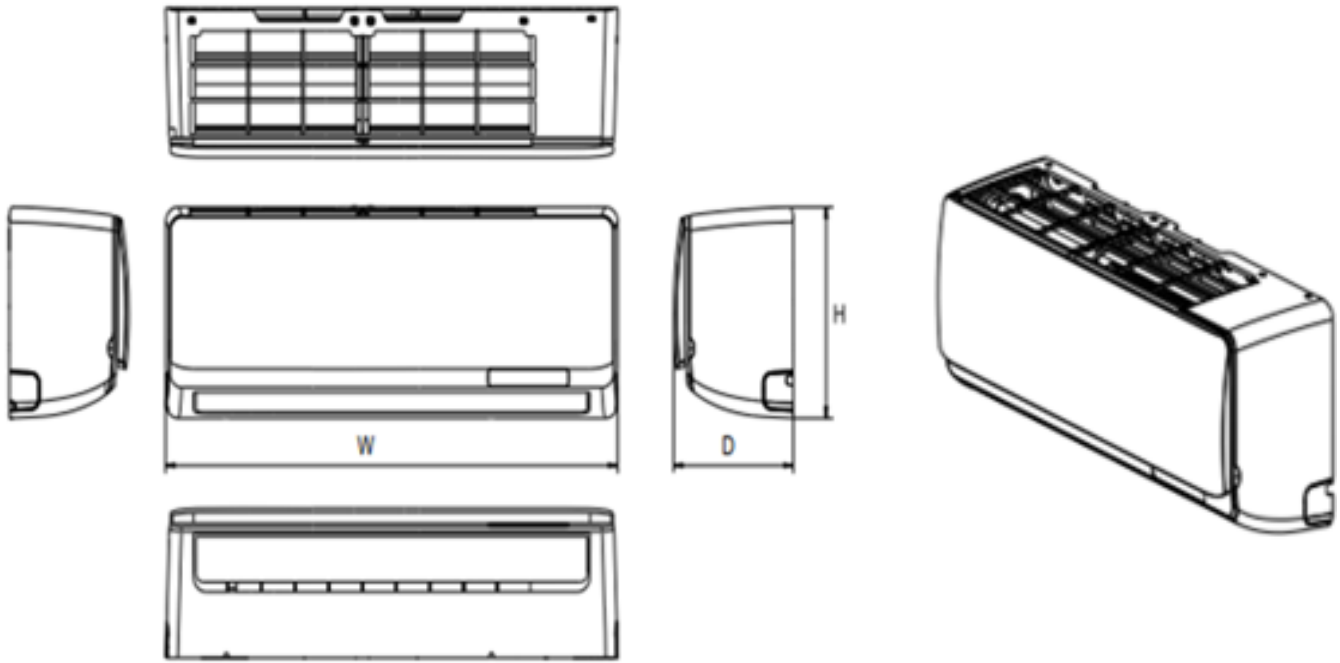
**Refrigerant Piping Data**

Gas Pipe Size (OD)	1/2-in
Liquid Pipe Size (OD)	1/4-in
Connection Method	Flared
MAX Refrigerant Pipe Length	82-ft
MIN Refrigerant Pipe Length	10-ft
MAX Refrigerant Pipe Height Difference	33-ft

## DIMENSIONAL SPECIFICATIONS

### INDOOR UNIT DIMENSIONS

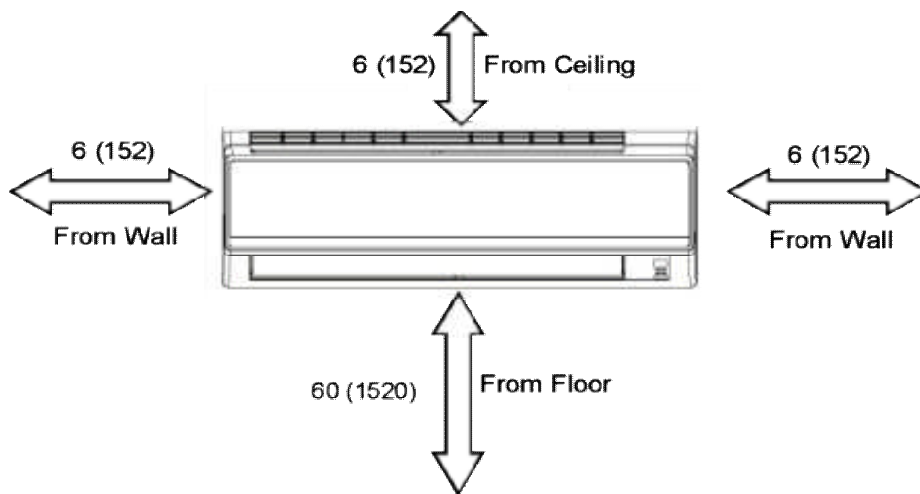
Units: inch



W (inch)	D (inch)	H (inch)
32.87	7.80	11.02

Liquid Line Valve	1/4-in OD Flared
Gas Line Valve	1/2-in OD Flared
Drain Connector	1-in OD

### MINIMUM SPACING REQUIREMENTS



**Notes:**

1. Recommended Interconnecting Cable Type Stranded Bare Copper Conductors THHN 600V Wire
2. Power wiring cable size must comply with applicable national and local codes.
3. Test conditions are based on AHRI 210/240.



Specifications are subject to change without notice. Manufacturer reserves the right to discontinue or modify specifications or designs without notice or without incurring obligations. All rights reserved.