

Submittal Data: WUHI-12KCT **12,000 BTU/h Ceiling Cassette Heat Pump System**

Job Name _____ Location _____ Date _____

Purchaser _____ Engineer _____

Submitted To _____ For Reference Approval Construction

Unit Designation _____ Schedule No. _____

GENERAL FEATURES

- MultiMix
- UltraHeat
- High HSPF

System Ratings

Cooling	
Rated Capacity	12,000 BTU/h
EER	12.5
SEER	19.5
Heating at 47° F	
Rated Capacity	12,000 BTU/h
HSPF Zone 4	10.2
HSPF Zone 5	8.2
Heating at 5°F	
Rated Capacity	12,000 BTU/h

Electrical Ratings

Normal Operational Voltage	208/230 V, 1 Phase, 60 Hz
Voltage Range	187 - 253 V
MCA & MCOP/Breaker	1.3 A & 15 A
Interconnecting Cable Wire Size	14-4 AWG

Refrigerant Piping Data

Refrigerant Type	R410A
Gas Pipe Size (OD)	1/2-in
Liquid Pipe Size (OD)	1/4-in
Drain Size (OD)	1-in
Connection Method	Flared
MAX Refrigerant Pipe Length	82-ft
MAX Refrigerant Pipe Height Difference	33-ft



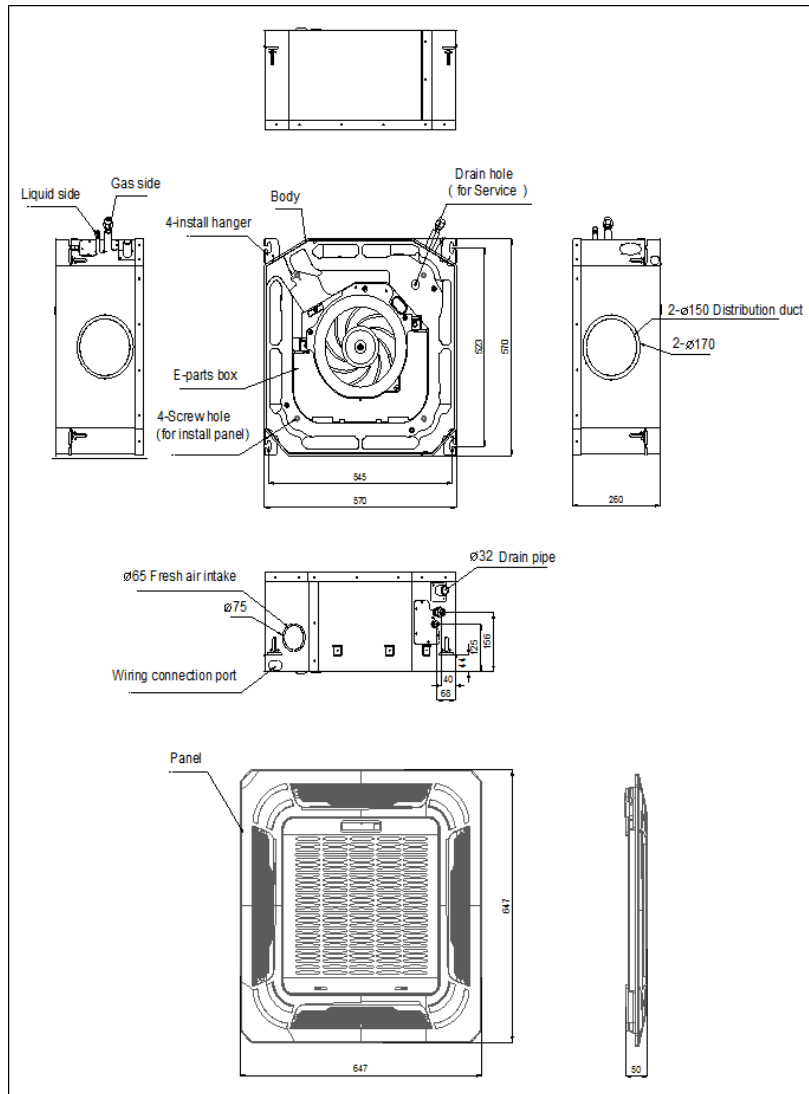
Indoor Unit Data

Fan Motor Output Power	46 W
RLA	1.0 A
Air Flow (max)	380 CFM
Sound Pressure (Hi/Med/Lo)	42/38/33 db(A)
Body Dimensions (WxDxH)	570 x 570 x 260 --mm 22.4 x 22.4 x 10.2 -in
Weight (Net/Shipping)	35/41 LBS
Grille Dimensions (WxDxH)	647x 647 x 50 --mm 25.5 x 25.5 x 1.97 -in
Weight (Net/Shipping)	5.5/9.9 LBS

Outdoor Unit Data

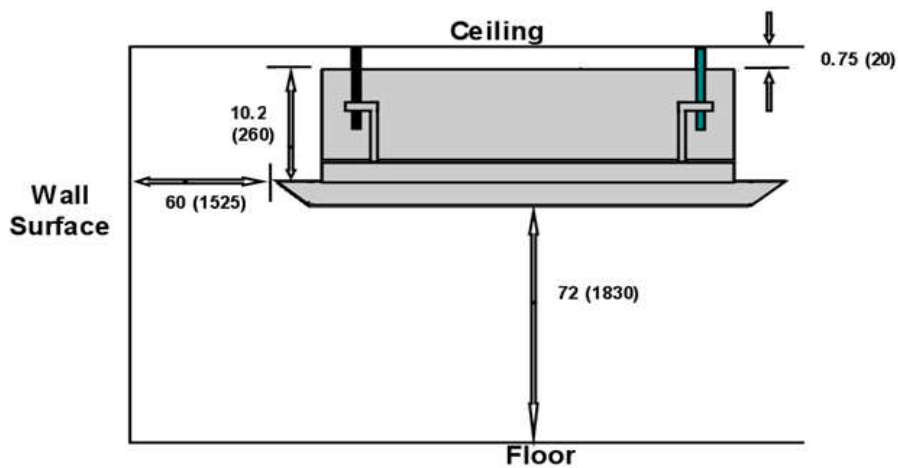
Compressor	DC Inverter Driven Rotary
Fan Motor Output Power	40 W
Sound Pressure Level	57 db(A)
Dimensions&Weights	
Unit Dimensions (WxDxH)	31.5 x 13.1 x 21.8 -in
Weight (Net/Shipping)	88/94 LBS





MINIMUM CLEARANCES

Units: inch (mm)



Notes:

1. Recommended Interconnecting Cable Type Stranded Bare Copper Conductors THHN 600V Unshielded Wire
2. Power wiring cable size must comply with applicable national and local codes.
3. Test conditions are based on AHRI 210/240.



Specifications are subject to change without notice. Manufacturer reserves the right to discontinue or modify specifications or designs without notice or without incurring obligations. All rights reserved.