

**Submittal Data: WMO30MH16S** 30,000 BTU/H Wall Mounted Heat- Pump System

Job Name Location Date

Purchaser Engineer

Submitted To For  Reference  Approval  Construction

Unit Designation Schedule No.

**GENERAL FEATURES**  
 -Up to 4 Indoor Units Comfort (4-Port)  
 -G10 DC Inverter Technology  
 -Quiet Operation - Both Indoor & Outdoor  
 -Wireless Remote Controller  
 -Optional Wired Remote Controller (PN: MC207059)  
 -Gold Fin Coil Coating  
 -Intelligent Defrost  
 -Auto Restart on Power Outages  
 -Limited 7 yr Compressor & 5 yr Parts Warranty

**System Ratings**

**Cooling**  
 Rated Capacity 29,000 BTU/H  
 Capacity Range 7,500-34,000 BTU/H  
 Power Input (Max) 3,450 W  
 SEER 16

**Heating at 47° F**  
 Rated Capacity 34,000 BTU/H  
 Capacity Range 7,500-36,000 BTU/H  
 Input Power (Max) 2,850 W  
 HSPF 8.2  
 COP 3.1

**Heating at 17° F**  
 Rated Capacity 16,500 BTU/H

**Operating Range**  
 Cooling (Max) 118°F (48 C)  
 (Min) 23°F (-5 C)  
 Heating (Max) 80°F (27 C)  
 (Min) 5°F (-15 C)

**Power Supply**  
 Normal Operational Voltage 208/230 V, 1 Phase, 60 Hz  
 Voltage Range 187 - 253 V  
 Main Power Wire Size 8-2 AWG  
 Interconnecting Cable Wire Size 14-4 AWG  
 MCA 26.0 A  
 MOCP/Breaker Size 45 A

**Outdoor Unit Data**

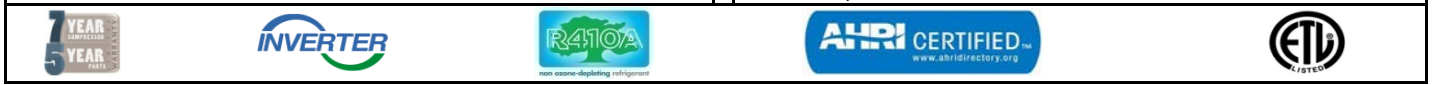
**Compressor** Type DC Inverter Driven Rotary  
 RLA 19.6 A  
**Fan Motor** Output Power 60 W  
 FLA 0.6 A  
 Air Flow (Max) 1,942 CFM

**Sound Power (Per AHRI 270 and AHRI 350)**  
 Cooling 66 db(A)  
 Heating 66 db(A)

**Dimensions & Weights**  
 Unit Dimensions (LxHxD) 37.2 x 27.6 x 15.6 - in  
 Weight (Net/Shipping) 137/148 LBS  
 Min. Number of Indoor Units 3  
 Max. Number of Indoor Units 4

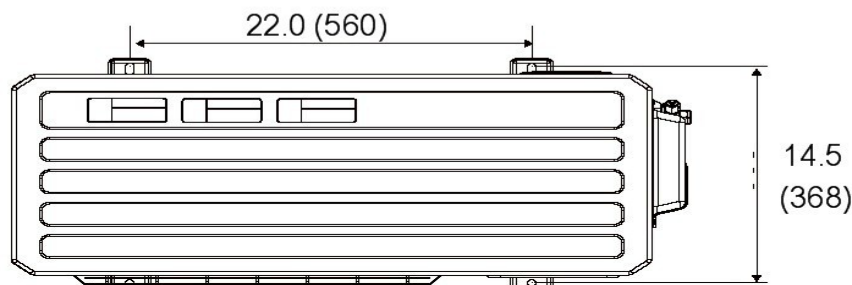
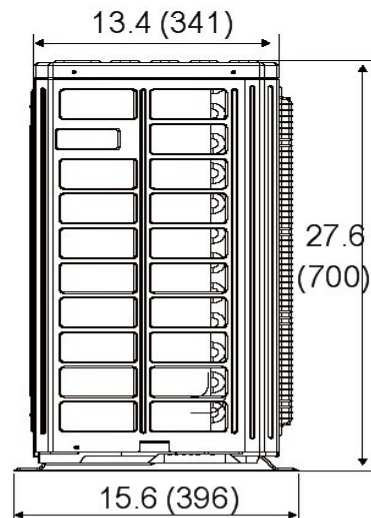
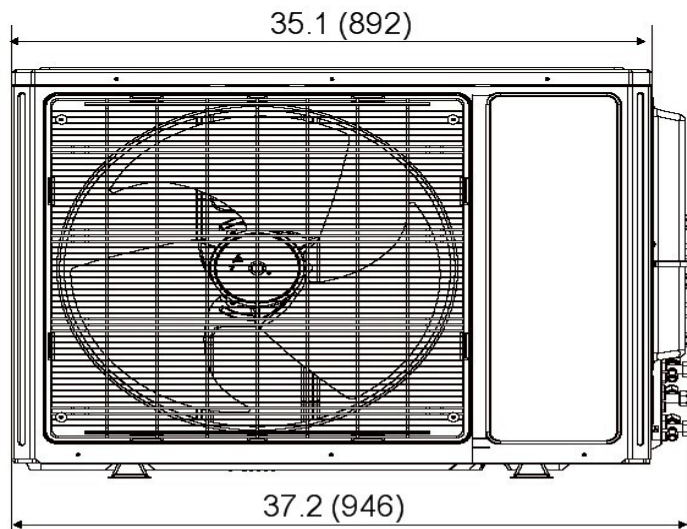
**Refrigerant Piping Data**

Connection Method Flared  
 Refrigerant Type R410A  
 Factory Charge for Total Line Length 130-ft  
 Additional Charge Per Line Length 0.2-oz/ft  
 Total Refrigerant Pipe Length 230-ft  
 Max Refrigerant Piping Length to any Indoor Unit 66-ft  
 Min Refrigerant Piping Length to any Indoor Unit 10-ft  
 Max Elevation between Indoor Units 33-ft  
 Max Lift from Outdoor to Indoor Unit 33-ft  
 Max Drop from Outdoor to Indoor Unit 33-ft



**36,000 BTUH MODEL**

Model # WMO30MH16S 30,000 BTUH 230V



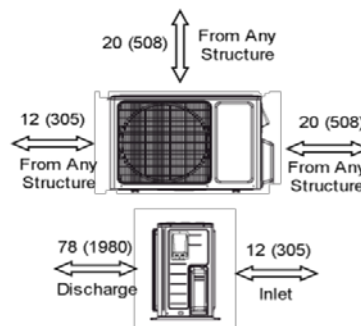
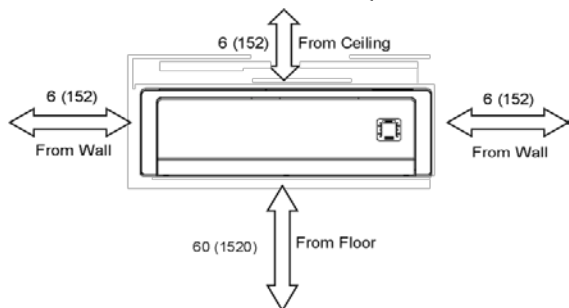
**Suction/Gas Line Port Size**

Port #1	3/8-in OD Flared
Port #2	3/8-in OD Flared
Port #3	3/8-in OD Flared
Port #4	3/8-in OD Flared

**Liquid Line Port Size**

Port #1	1/4-in OD Flared
Port #2	1/4-in OD Flared
Port #3	1/4-in OD Flared
Port #4	1/4-in OD Flared

**MINIMUM SPACING REQUIREMENTS**



**Notes:**

1. Recommended Interconnecting Cable Type Stranded Bare Copper Conductors THHN 600V Unshielded Wire
2. Power wiring cable size must comply with applicable national and local codes.
3. Test conditions are based on AHRI 210/240.



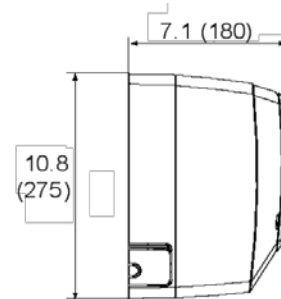
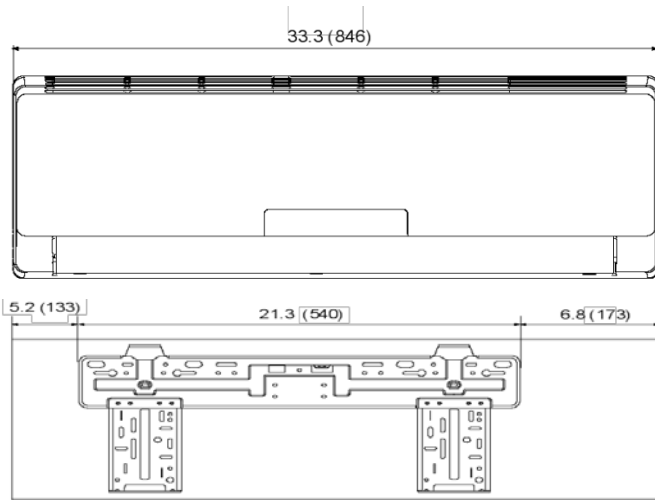
[www.willisac.com](http://www.willisac.com)

Specifications are subject to change without notice. Manufacturer reserves the right to discontinue or modify specifications or designs without notice or without incurring obligations. All rights reserved.

Units: inch (mm)

**9,000 AND 12,000 BTUH MODELS**

Model # WMI09MH16S 9,000 BTUH 230V  
 Model # WMI12MH16S12,000 BTUH 230V



Liquid Line Valve	1/4-in OD Flared
Gas Line Valve	3/8-in OD Flared
Drain Connector	5/8-in OD

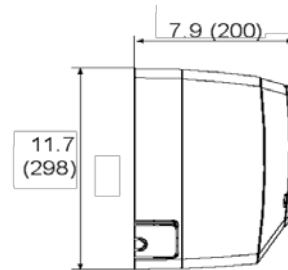
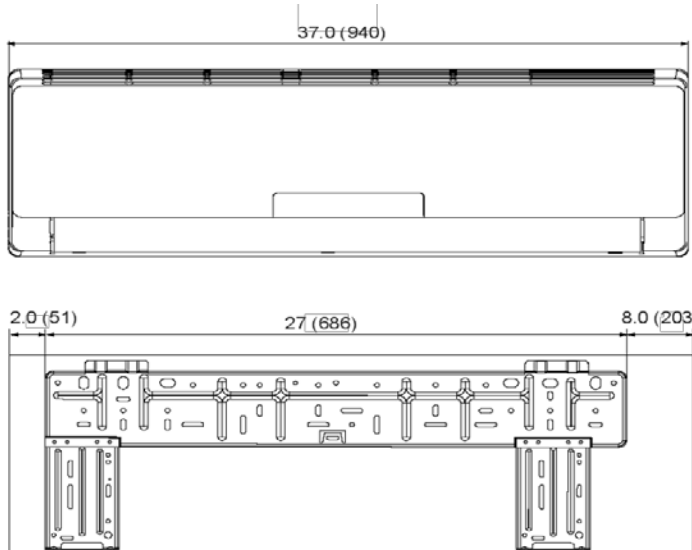
*Note: Size Refrigerant lines based on evaporator port sizes.*

Indoor Capacity Size	Fan (watts)	CFM (High)	Sound Power (Low/High)**
9,000 BTUH	20	330	26/41
12,000 BTUH	20	341	28/42

Units: inch (mm)

**18,000 BTUH MODEL**

Model # WMI18MH16S 18,000 BTUH 230V



Liquid Line Valve	1/4-in OD Flared
Gas Line Valve	1/2-in OD Flared
Drain Connector	5/8-in OD

*Note: Size Refrigerant lines based on evaporator port sizes.*

Indoor Capacity Size	Fan (watts)	CFM (High)	Sound Power (Low/High)**
18,000 BTUH	20	500	35/46

\*\*Sound Power ratings are per AHRI 270 and AHRI 350



Specifications are subject to change without notice. Manufacturer reserves the right to discontinue or modify specifications or designs without notice or without incurring obligations. All rights reserved.

**COOLING CAPACITY (BTUH)**

Indoor Combinations	Indoor Unit A	Indoor Unit B	Indoor Unit C	Indoor Unit D	Indoor Unit E
9K + 9K + 9K	8,667	8,667	8,667		
9K + 9K + 12K	8,000	8,000	10,000		
9K + 9K + 18K	7,000	7,000	12,000		
9K + 12K + 12K	6,000	10,000	10,000		
9K + 12K + 18K	6,800	7,200	13,000		
12K + 12K + 12K	8,667	8,667	8,667		
12K + 12K + 18K	6,500	6,500	15,000		
9K + 9K + 9K + 9K	7,250	7,250	7,250	7,250	
9K + 9K + 9K + 12K	7,000	7,000	7,000	7,000	
9K + 9K + 12K + 12K	6,800	6,800	7,700	7,700	

**HEATING CAPACITY (BTUH)**

Indoor Combinations	Indoor Unit A	Indoor Unit B	Indoor Unit C	Indoor Unit D	Indoor Unit E
9K + 9K + 9K	9,667	9,667	9,667		
9K + 9K + 12K	9,000	9,000	11,000		
9K + 9K + 18K	6,000	6,000	17,000		
9K + 12K + 12K	6,000	11,500	11,500		
9K + 12K + 18K	7,050	9,350	14,100		
12K + 12K + 12K	9,667	9,667	9,667		
12K + 12K + 18K	8,700	8,700	13,100		
9K + 9K + 9K + 9K	7,625	7,625	7,625	7,625	
9K + 9K + 9K + 12K	7,100	7,100	7,100	9,200	
9K + 9K + 12K + 12K	6,500	6,500	9,000	9,000	

Capacity data is based on the following conditions :

Cooling Norminal Test Conditions

Indoor: 80°F DB/67°F WB

Outdoor: 95°F DB/75°F WB

Heating Norminal Test Conditions

Indoor: 70°F DB/60°F WB

Outdoor: 47°F DB/43°F W

